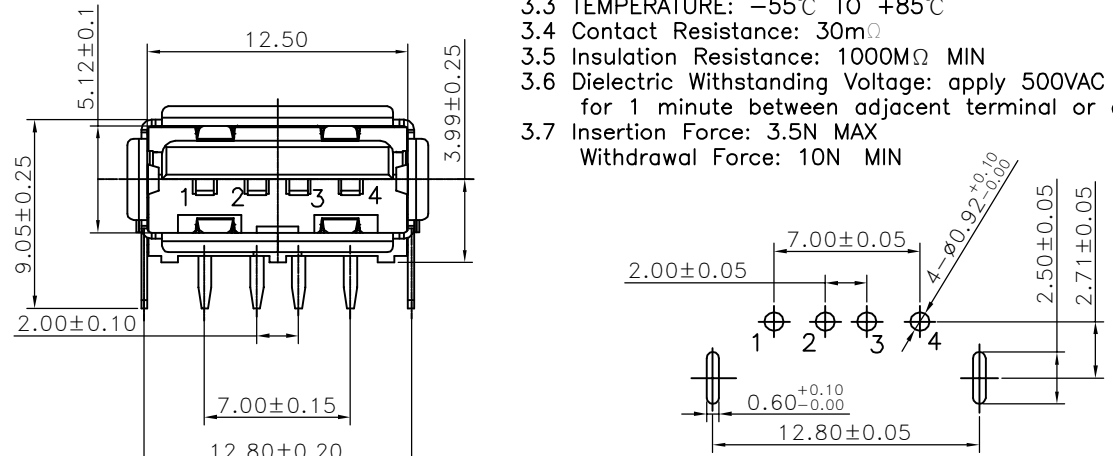


Pin Number	SIGNAL NAME
1	VBUS
2	D-
3	D+
4	GND
Shell	Shield

REV.	NOTES	DATE
A	RELEASED	2017/03/14
B	B1:修改圖面REEL包材步距列為24.00MM;	2017/08/23
C	C1:客戶要求修改包裝盤子15寸改用13寸規格;	2017/09/25

NOTE:

1. Material
 - 1.1 Terminal: C2680H T=0.20
 - 1.2 Housing: LCP+30%G/F., UL94V-0 Black
 - 1.3 Shell: C2680H T=0.30
2. Plating
 - 2.1 Terminal: Gold Flash In Contact Area
100u" MIN. Sn Plate In Solder Area.
Over 50u" MIN. Ni.
 - 2.2 Shell: 50u" Nickel plated over all.
3. Electrical
 - 3.1 Current rating: 1.5A
 - 3.2 Rated Voltage: 30V MAX
 - 3.3 TEMPERATURE: -55°C TO +85°C
 - 3.4 Contact Resistance: 30mΩ
 - 3.5 Insulation Resistance: 1000MΩ MIN
 - 3.6 Dielectric Withstanding Voltage: apply 500VAC
for 1 minute between adjacent terminal or ground.
 - 3.7 Insertion Force: 3.5N MAX
Withdrawal Force: 10N MIN



RECOMMENDED P.C.B LAYOUT
Tolerance: 1.6±0.05

3	SHELL	C2680	Ni 50u"
2	TERMINAL	C2680	Contact Area G/F Solder Area Sn100u"
1	HOUSING	LCP+30% G F	BLACK UL94V-0
NO.	PART NAME	MATERIAL	DESCRIPTION
單位(UNITS)		mm	東莞翊豐精密五金有限公司
數量(QTY)		N/A	
材料(MTL)		SEE NOTE	
處理(FINISH)		SEE NOTE	
繪圖(DRAW)			圖名(NAME) USB 2.0 母 90度 直脚 2.20mm
設計(DE'N)			料號(PART NUMBER) AAUS+A01P-02744
審核(CH'K)			圖號(DRAW NUMBER) RAAUSA01P
核准(APP'D)			圖檔(FILE NAME .DWG)
比例(SCALE)	1:1	圖紙(SIZE)	A4
頁次(SHEET)	1/2	版次(REV.)	C

DIMENSIONS TOLERANCE METRIC	
X	±0.3
X.X	±0.2
X.XX	±0.1
X.XXX	±0.05
ANGLES	
X	±1°
X.X	±0.5°