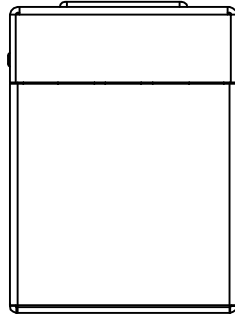
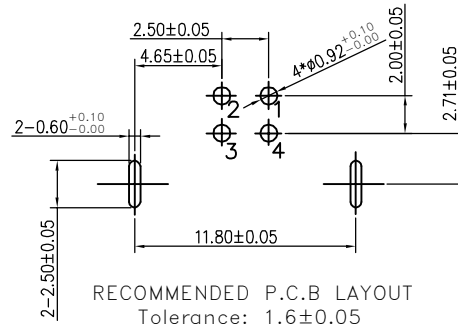
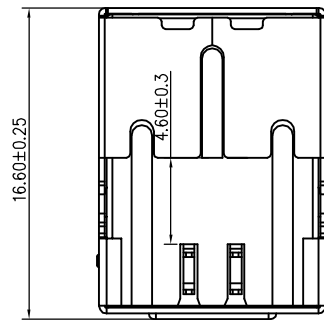
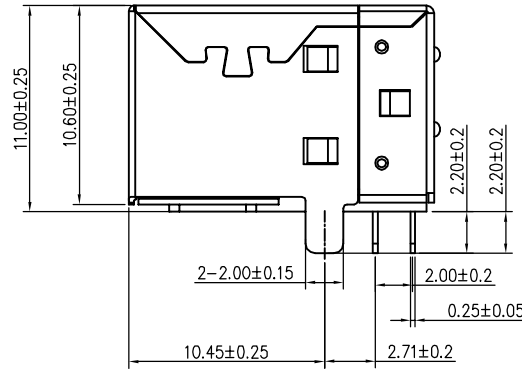
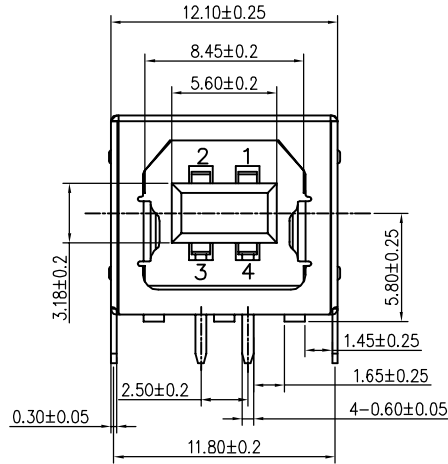


REV.	NOTES	DATE
A	RELEASED	2017/03/14
B	B1:客戶要求修改包裝盤子15寸改用13寸規格;	2017/09/25



Pin Number	SIGNAL NAME
1	VBUS
2	D-
3	D+
4	GND
Shell	Shield



NOTE:

1. Material

- 1.1 Terminal: C5191H T=0.25
- 1.2 Housing: LCP+30%G/F., UL94V-0 Black
- 1.3 Shell: C2680H T=0.30
- 1.4 Back Shell: SPCC T=0.30

2. Plating

- 2.1 Terminal: Gold Flash On Contact Area
100u" MIN. Sn Plate On Solder Area.
Over 50u" MIN. Ni.
- 2.2 Shell: 50u" Nickel plated over all.

3. Electrical

- 3.1 Current rating: 1.5A
- 3.2 Rated Voltage: 30V MAX
- 3.3 TEMPERATURE: -55°C TO +85°C
- 3.4 Contact Resistance: 30mΩ
- 3.5 Insulation Resistance: 1000MΩ MIN
- 3.6 Dielectric Withstanding Voltage: apply 500VAC
for 1 minute between adjacent terminal or ground.
- 3.7 Insertion Force: 3.5N MAX
Withdrawal Force: 10N MIN

4	BACK SHELL	SPCC	Ni 50u"
3	FRONT SHELL	C2680	Ni 50u"
2	TERMINAL	C5191	Contact Area G/F Solder Area Sn 100u"
1	HOUSING	LCP+30% G F	BLACK UL94V-0
NO.	PART NAME	MATERIAL	DESCRIPTION

單位(UNIT)		東莞翊豐精密五金有限公司 圖名(NAME) USB 2.0 B 母90度 直腳2.20mm
數量(QTY)	N/A	
材料(MTL)	SEE NOTE	
處理(FINISH)	SEE NOTE	

繪圖(DRAW)		料號(PART NUMBER)	AAUS+B01P-02744
設計(DE'N)		圖號(DRAW NUMBER)	RAAUSB01P
審核(CH'K)		圖檔(FILE NAME .DWG)	
核准(APP'D)		比例(SCALE)	1:1
		圖紙(SIZE)	A4
		頁次(SHEET)	1/2
		版次(REV.)	B

DIMENSIONS
TOLERANCE
METRIC
X :±0.3
X.X :±0.2
X.XX :±0.1
X.XXX :±0.05
ANGLES
X :±1°
X.X :±0.5°