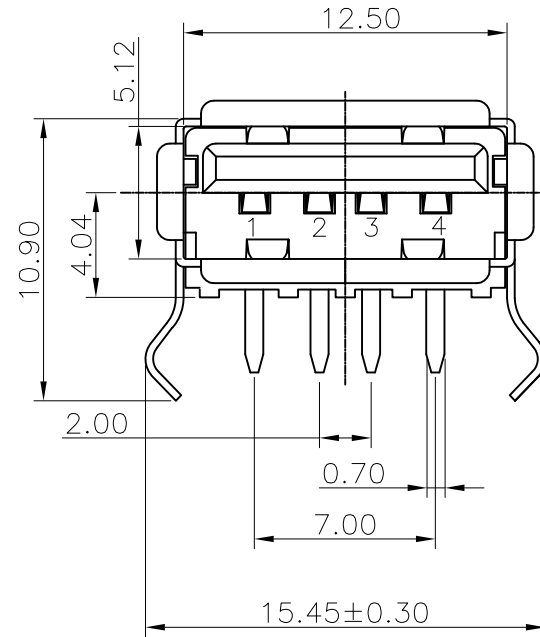
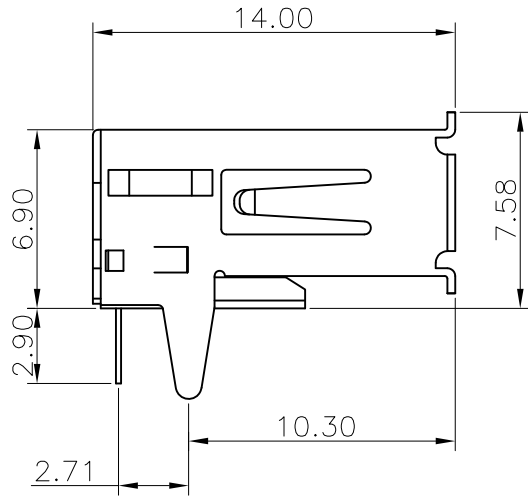
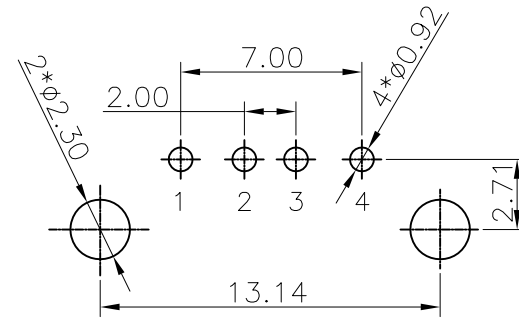
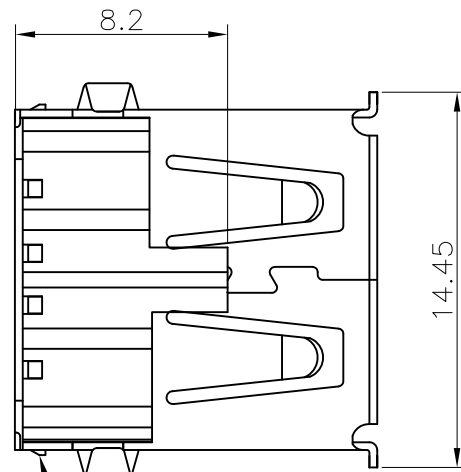


REV.	NOTES	DATE
A	RELEASED	2017/07/04



- NOTES:
- MATERIAL:
 - Housing: thermoplastic plastics
 - terminals: Copper Alloy
Gold plated in contact area
Tin plated in termination
Nickel Plated overall
 - Shell: Steel & Copper Alloy
Nickel Plated overall
 - ELECTRICAL CHARACTERISTICS:
 - Rating Current : 1.5 Ampere
 - Rating Voltage : 30 V Max
 - Contact Resistance: 30 Milli ohms
 - Insulation Resistance: 1000 Mega ohms Min.
 - MECHANICAL CHARACTERISTICS:
 - Connector Mating force: 35N MAX (3.57Kgf)
 - Connector Unmating force: 10N min (1.02Kgf)
 - Durability: 1500 Cycles.
 - ENVIRONMENT CHARACTERISTICS:
 - Operating temperature: -0°C to +50°C
 - Storage temperature: -20°C to +60°C



外壳后盖内扣卡点

PCB.LAYOUT
TOL: ±0.05

DIMENSIONS TOLERANCE METRIC

X	:±0.5
X.X	:±0.30
X.XX	:±0.20
ANGLES	
X	:±1°
X.X	:±0.5°

單位(UNITS)	mm	東莞翊豐精密五金有限公司					
數量(QT'Y)	N/A						
材料(MT'L)	SEE NOTE						
處理(FINISH)	SEE NOTE						
繪圖(DRAW)		圖名(NAME) USB AF 90度 弯脚有盖短弹 15.45					
設計(DE'N)		料號(PART NUMBER)	AAUS+U204-012X				
審核(CH'K)		圖號(DRAW NUMBER)					
核准(APP'D)		圖檔(FILE NAME .DWG)					
比例(SCALE)	1/1	圖紙(SIZE)	A4	頁次(SHEET)	1	版次(REV.)	A