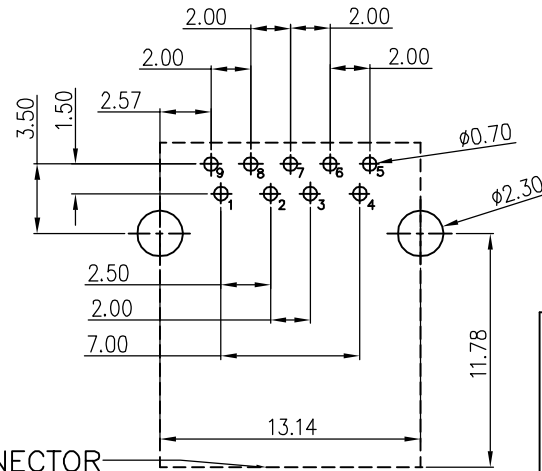
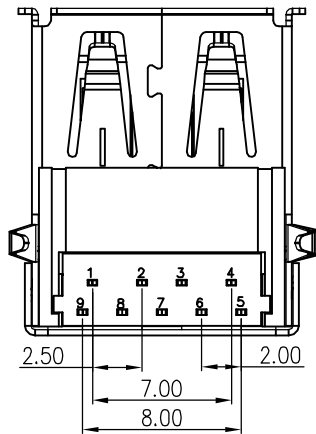
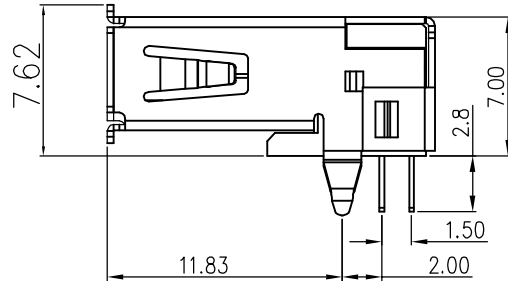
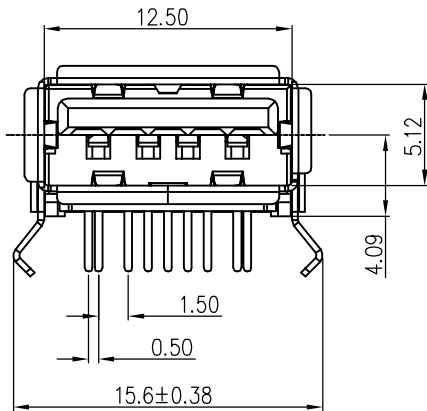
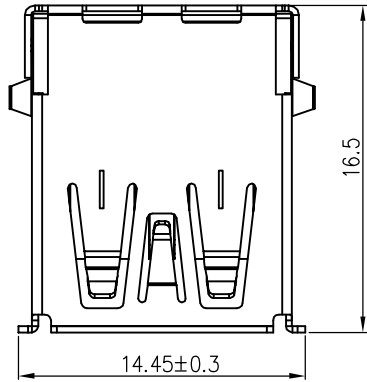


REV.	NOTES	DATE
A	RELEASED	2017/07/17



CONNECTOR
FRONT EDGE

Remark:

1.MATERIAL:

- 1.1 Housing:Lcp+30%G/F.,UL94V-0 Black
- 1.2 terminals:Copper Alloy
- 1.3 Shell:Stainless steel

2.characteristics:

- 2.1 Rating Voltage : 30V AC.
- 2.2 Rating Current:PIN1&PIN4(Vbus&Correponding ground PIN)
1.8A MAX Other PINS 0.25A min.
- 2.3 Contact Resistance:PIN1&PIN4:30 mΩ MAX. Other PINS: 50 mΩ
- 2.4 Insulation Resistance:100 MΩ MIN.
- 2.5 Withstanding Voltage:AC 100V between adjacent contacts
- 2.6 Mating force: 3.57Kgf MAX(35N MAX)
- 2.7 Extraction force:1.02Kgf Min(10N Min)
- 2.8 Life test:1500Cycles MIN.
- 2.9 Temperature Range: -55℃~+85℃.

單位(UNITS)	mm	東莞翊豐精密五金有限公司			
數量(QT'Y)	N/A				
材料(MT'L)	SEE NOTE				
處理(FINISH)	SEE NOTE				
繪圖(DRAW)		圖名(NAME) USB 3.0 AF 90度 插板半金錫1U" 不銹鋼殼鍍線 LCP			
設計(DE'N)		料號(PART NUMBER)	AAUS+U309-0717		
審核(CH'K)		圖號(DRAW NUMBER)			
核准(APP'D)		圖檔(FILE NAME .DWG)			
		比例(SCALE)	1/1	圖紙(SIZE)	A4
		頁次(SHEET)	1	版次(REV.)	A

DIMENSIONS TOLERANCE METRIC	
X	±0.5
X.X	±0.30
X.XX	±0.20
ANGLES	
X	±1°
X.X	±0.5°