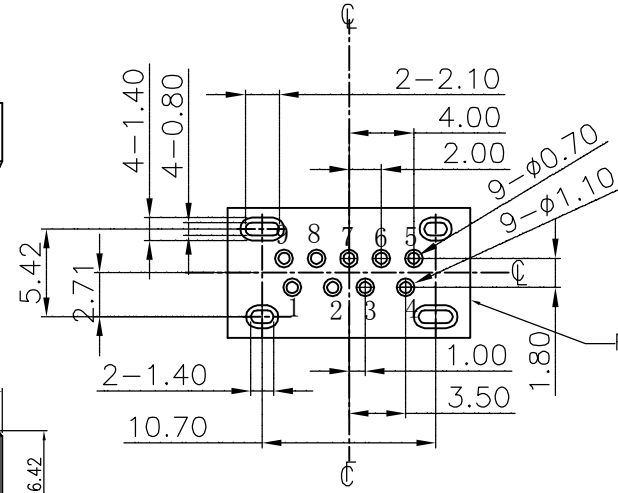
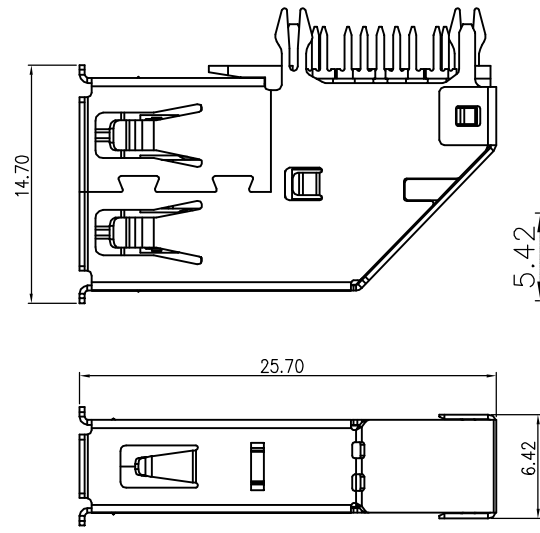


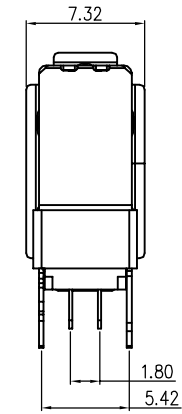
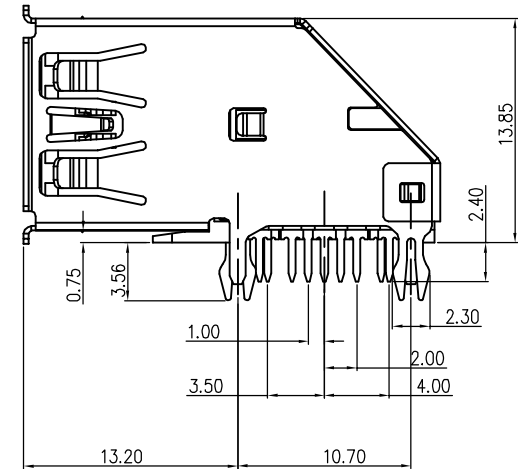
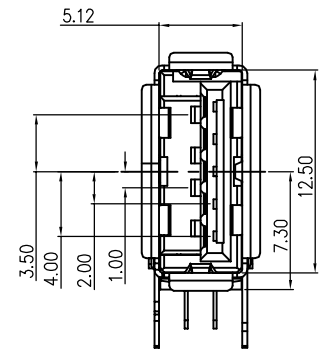
REV	NOTES	DATE
A	初版發行	2017/04/11



PCB LAYOUT (TOP VIEW)

**SPECIFICATIONS:**  
 Contact current Rating:  
 1.8 Amperes for pin1&pin4.  
 0.25 Amperes other contacts  
 Dielectric Withstanding Voltage:AC 100V(RMS)  
 Insulation resistance:100Megohms Minimum.  
 Contact Resistance:  
 30mΩ Max for pin1&pin4  
 50mΩMax for other contacts  
 Mechanical Characteristics:  
 Mating Force:35 Newtons.Maximum  
 Unmating Force:10 Newtons.Minimum.  
 8N Min After Durability

**MATERIAL:**  
 Housing: PA10T BLACK UL94V-0  
 Contact: copper alloy( T=0.20mm)  
 Shell: SUS  
**PLATING:**  
 Contact: Gold Falsh Plated on contact area  
 Tin Plated on solder area  
 Nickel underplating over all  
 Shell: Nickel Plated  
 operating Temperature:-55°to+85°



Pin Number	Signal Name	Pin Number	Signal Name
1	VBUS	5	SSRX-
2	D-	6	SSRX+
3	D+	7	GND
4	GND	8	SSTX-
Shell	Shield	9	SSTX+

DIMENSIONS TOLERANCE METRIC  
 .0= ± 30  
 .00= ± .25  
 .000= ± .02  
 .0000= ± .01  
 ANG.= ± 1°

單位(UNITS)	mm	東莞翊豐精密五金有限公司							
數量(QU'TY)	N/A								
材料(MT'L)	SEE NOTE								
處理(FINISH)	SEE NOTE								
繪圖(DRAW)		圖名(NAME) USB 3.0 AF 側插90度							
設計(DE'N)		料號(PART NUMBER)	AAUS+013B-127011						
審核(CH'K)		圖號(DRAW NUMBER)							
核准(APP'D)		圖檔(FILE NAME .DWG)							
		比例(SCALE)	1/1	圖紙(SIZE)	A4	頁次(SHEET)	1	版次(REV.)	A