

REV.	NOTES	DATE
A	RELEASED	2017/09/26

NOTE:

1. MATERIAL:

- 1.1 INSULATOR: HIGH TEMPERATURE PLASTIC UL 94 V-0;
- 1.2 CONTACT: COPPER ALLOY (T=0.20mm)
- 1.3 SHELL: SUS 201 (T=0.30mm)

2. ELECTRICAL CHARACTERISTICS:

- 2.1 CONTACT RESISTANCE: 30mΩ Max
- 2.2 CONTACT CURRENT RATING: 1.5A
- 2.3 DIELECTRIC WITHSTANDING VOLTAGE: 100 V R.M.S.
- 2.4 INSULATION RESISTANCE 100 MEGOHMS Min
- 2.5 OPERATING TEMPERATURE: -25° C ~ 75° C

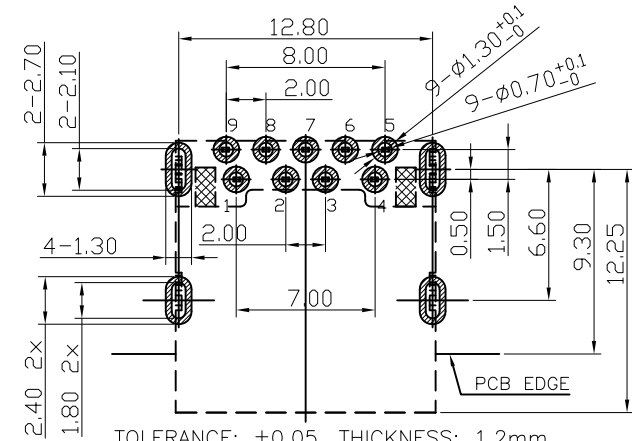
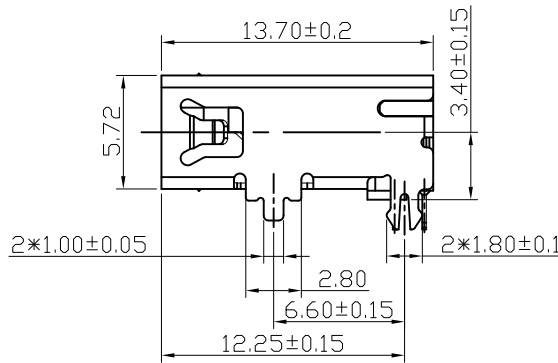
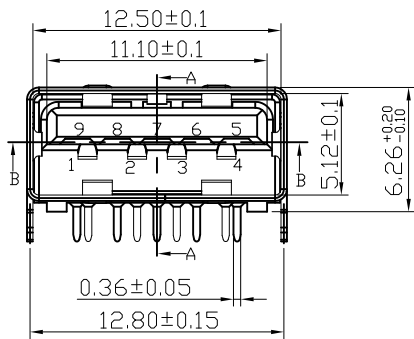
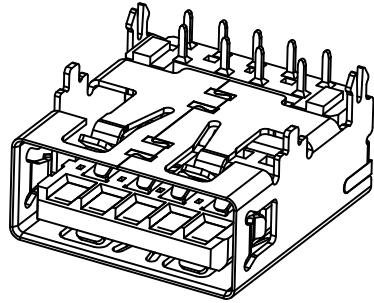
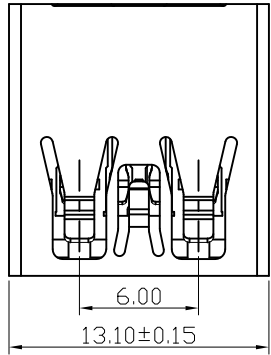
3. MECHANICAL CHARACTERISTICS:

- 3.1 MATING FORCE: 35 N Max
- 3.2 UNMATED FORCE: 10 N Min

4. PLATING

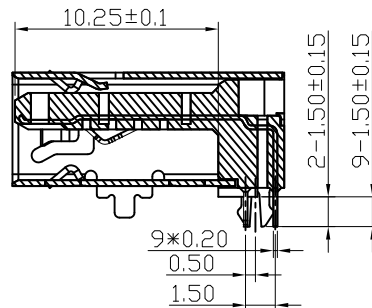
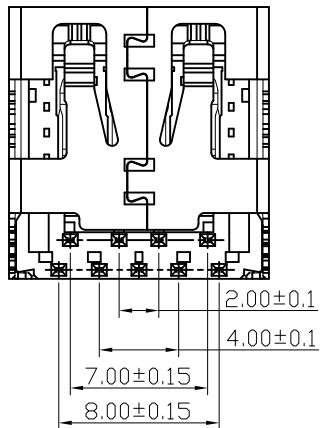
- 4.1 TERMINAL CONTACT: (SEE TAB) GOLD PLATING ALL OVER 30u" NICKEL AND 40u" Tin ALL OVER 30u" NICKEL ON SOLDER AREA
- 4.2 SHELL: 40u" NICKEL ALL OVER

Pin NUMBER	SIGNAL NAME
1	VBUS
2	D-
3	D+
4	GND
5	StdA_SSRX-
6	StdA_SSRX+
7	GND_DRAIN
8	StdA_SSTX-
9	StdA_SSTX+
Shell	Shield



TOLERANCE: ±0.05, THICKNESS: 1.2mm
RECOMMENDED PCB LAYOUT

(TOP VIEW)
KEEP OUT AREA



SECTION A-A

DIMENSIONS TOLERANCE METRIC	
X	±0.5
X.X	±0.30
X.XX	±0.20
ANGLES	
X	±1°
X.X	±0.5°

單位(UNITS)	mm	東莞翊豐精密五金有限公司							
數量(QT'Y)	N/A								
材料(MT'L)	SEE NOTE								
處理(FINISH)	SEE NOTE								
繪圖(DRAW)		圖名(NAME) USB 3.1 AF 90度 DIP H=6.26 L=13.7 CL=3.40 无卷边							
設計(DE'N)		料號(PART NUMBER)	AAUS+US09P-N238R						
審核(CH'K)		圖號(DRAW NUMBER)							
核准(APP'D)		圖檔(FILE NAME .DWG)							
		比例(SCALE)	1/1	圖紙(SIZE)	A4	頁次(SHEET)	1	版次(REV.)	A