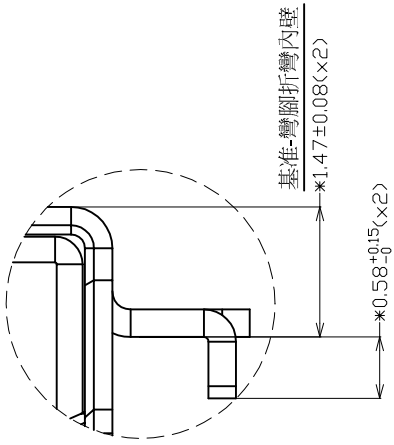
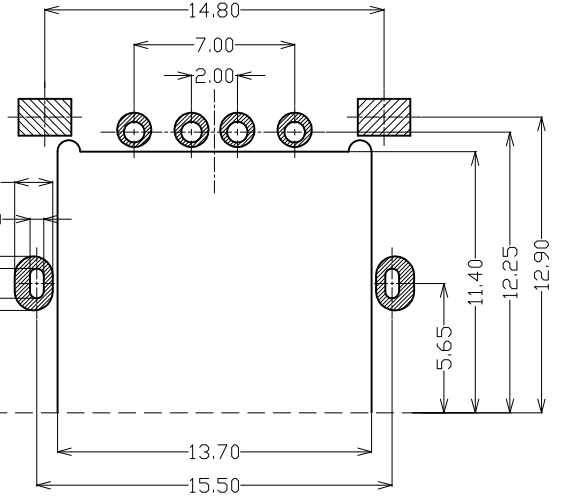
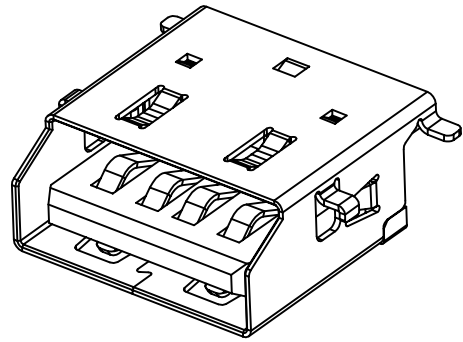
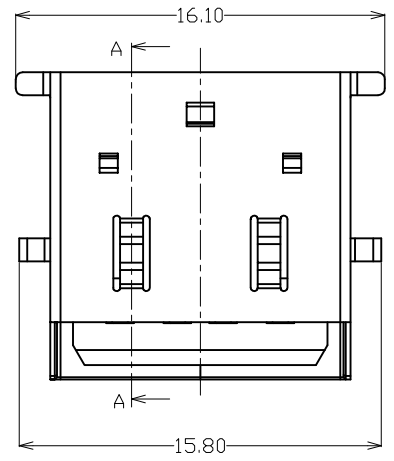


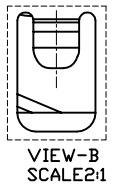
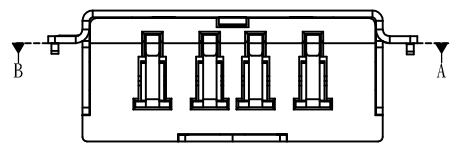
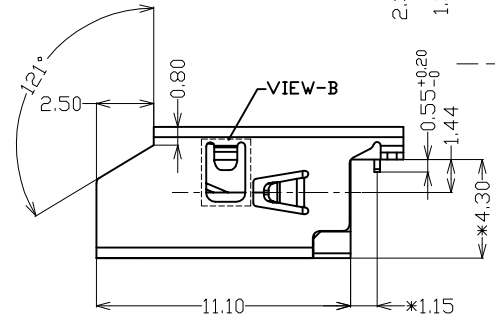
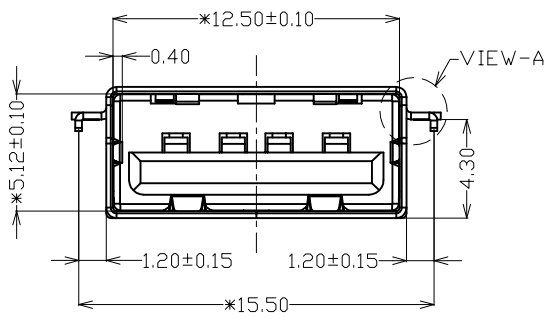
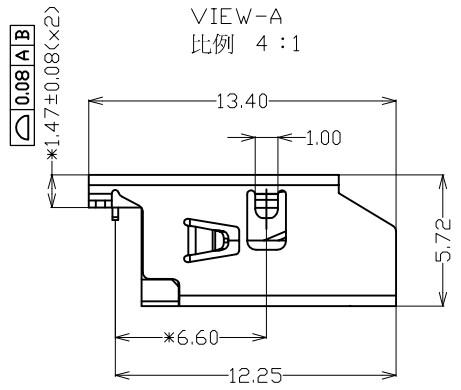
REV.	NOTES	DATE
A	RELEASED	2016/05/23



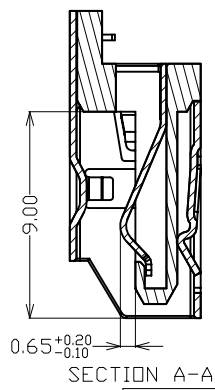
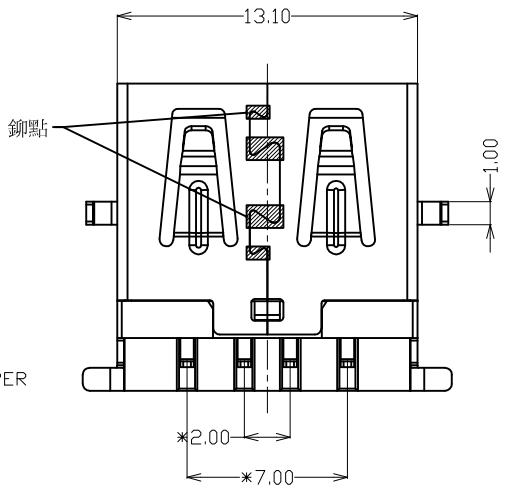
VIEW-A
比例 4:1



PCB LAYOUT (TOLERANCE: ±0.05)
TOP VIEW (THICKNESS=1.20mm)



- NOTES:
- MECHANICAL:
MATING: 35N MAX
WITHDRAWAL: 10N MIN
DURABILITY: BRASS 1500 CYCLES MIN
SUS 3000 CYCLES MIN
 - ELECTRICAL:
CURRENT: 1.0A MAX
VOLTAGE: 30V MAX
WITHSTANDING VOLTAGE: 500V AC
CONTACT RESISTANCE: 100MΩ MIN
 - ENVIRONMENTAL
TEMPERATURE RANGE: -55°C ~ +85°C
 - REFLOW SOLDER CAPABLE TO 260°C PER
 - * * 標示是重點管控尺寸



DIMENSIONS
TOLERANCE
METRIC
.0 = ±.30
.00 = ±.20
.000 = ±.10
.0000 = ±.05
ANG. = ± 1°

3	CONTACT	C5191R-EH,T=0.25,GOLD FLASH	4
2	SHELL	SUS304 1/2H,T=0.30, PLATING NICKEL ALL	1
1	HOUSING	LCP+30%GF, BLACK	1
NO	DESCRIPTION	SPECIFICATION	Q'TY
單位(UNITS)		mm	
數量(QT'Y)		N/A	
材料(MT'L)		SEE NOTE	
處理(FINISH)		SEE NOTE	
東莞翊豐精密五金有限公司			
圖名(NAME) USB2.0 A TYPE母沉板式SMT式 HSF			
繪圖(DRAW)		料號(PART NUMBER)	AUS+A06P+02400
設計(DE'N)		圖號(DRAW NUMBER)	RAUSA06P02400
審核(CH'K)		圖檔(FILE NAME .DWG)	E:\xuebin_lv\新產品治備\2014年五洲\KSD USB2.0\01版式
核准(APP'D)		比例(SCALE)	1/1
		圖紙(SIZE)	A4
		頁次(SHEET)	1/1
		版次(REV.)	A