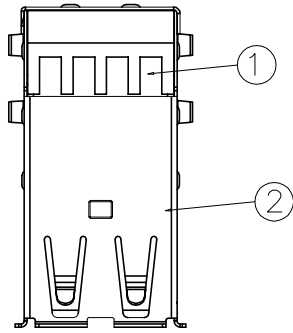
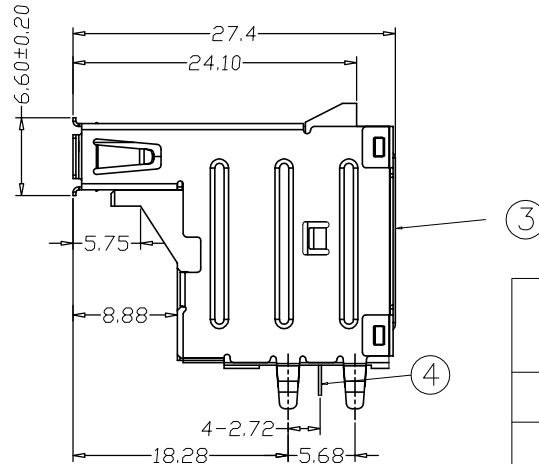
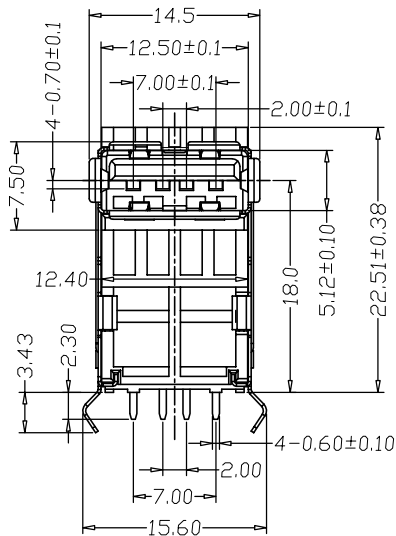


REV.	NOTES	DATE
A	RELEASED	2012/04/25
B	增加料號	2012/05/07

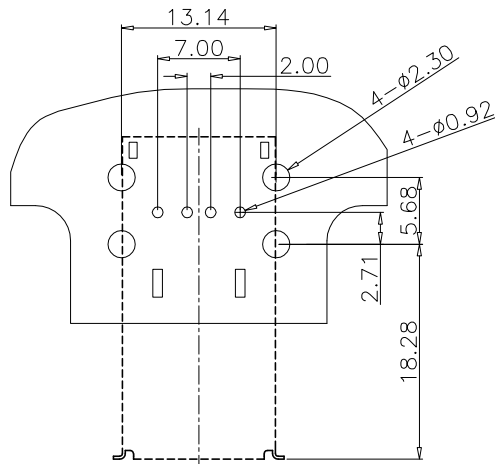


Part No.	PLATING
AUS+A01H-0247	GOLD FLASH/TIN PLATED
AUS+A01H-0X47	GOLD 30u"MIN/TIN PLATED

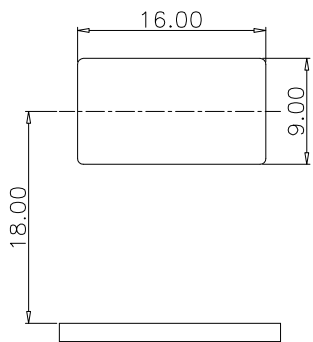
- NOTES:
- SPECIFICATION MEET USB STANDARD SPECIFICATION.
  - ELECTRICAL CHARACTERISTICS;
    - CONTACT CURRENT RATING : 1.5 AMPERE.
    - CONTACT RESISTANCE : 30 MILLIOHMS MAX.
    - DIELECTRIC WITHSTANDING VOLTAGE : 500 VAC MIN.
    - INSULATION RESISTANCE : 1000 MEGOHMS MIN
  - MECHANICAL CHARACTERISTICS;
    - CONNECTOR ENGAGEMENT FORCE : 35 N(3.5kgf)MAX
    - CONNECTOR SEPARATION FORCE : 10~35 N(1.0~3.5kgf)
    - DURABILITY : 1500 CYCLES.
    - OPERATING TEMPERATURE : -50°C TO +85°C
  - RECOMMENDED P.C.B THICKNESS : 1.57±0.05
  - RECOMMENDED PROCESS:WAVE SOLDER,PEAK TEMP 255°,3~5 SEC



ITEM	DESC	QT'Y	MATERIAL	TERATMENT
4	CONTACT	4	COPPER ALLOY	Au 30u"OR GOLD FLASH MIN.PLATED AT CONTACT AREA TIN ALLOY(LEAD RREE) AT TERMINATIONINCKE UNDERPLATING ALL.
3	REAR SHELL	1	SUS	NO PLATED
2	OUT SHELL	1	SUS	TIN ALLOY(LEAD RREE) AT TERMINATION
1	HOUSING	1	LCP UL 94-V0	MOLDED BLACK



RECOMMENDED PCB LAYOUT  
 DIMENSION TOLERANCE: ±0.05  
 PCB THICKNESS:1.570mm



MOUNTING PANEL CUTOUT

單位(UNITS)	mm
數量(QTY)	N/A
材料(MTL)	SEE NOTE
處理(FINISH)	SEE NOTE

東莞翊豐精密五金有限公司

圖名(NAME)  
 USB 2.0 A FEMALE TYPE 90° (單層加高)

料號(PART NUMBER) AUS+A01H-0247  
 圖號(DRAW NUMBER) RAUSA01H0247

圖檔(FILE NAME .DWG)  
 比例(SCALE) 1/1 圖紙(SIZE) A4 頁次(SHEET) 1 版次(REV.) A

DIMENSIONS TOLERANCE  
 METRIC  
 .0=±0.38  
 .00=±0.25  
 .000=  
 ANG.=±5°