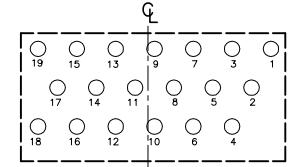
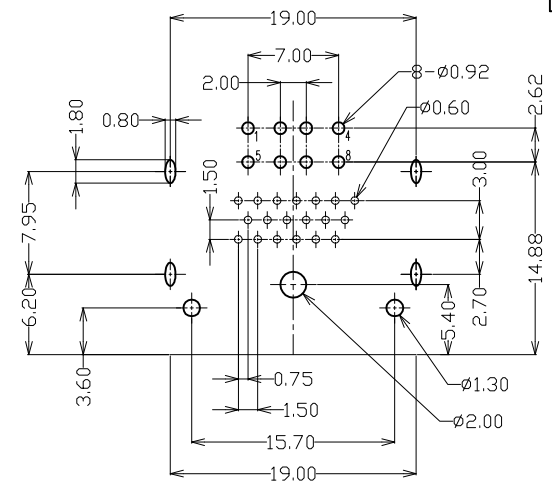
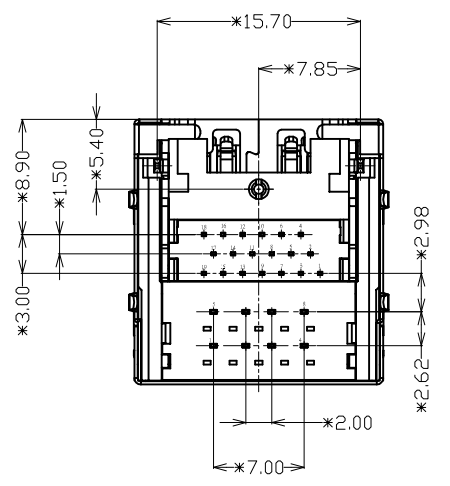


SECTION A-A



HDMI Pin Position



PCB LAYOUT (TOLERANCE ±0.05)
TOP VIEW

REV.	NOTES	DATE
A	RELEASED	2013/11/28
B	增加鐵殼腳沾錫尺寸 $\triangle B$	2016/02/17

- NOTES:
- MATERIALS:
 - 1.1 USB HOUSING: PBT,UL94V-0,COLOR: BLACK.
 - 1.2 HDMI HOUSING: LCP,UL94V-0,COLOR: BLACK.
 - 1.4 CONTACT: COPPER ALLOY
 - 1.5 USB SHELL: STAINLESS STEEL
 - 1.6 HDMI SHELL: COPPER ALLOY
 - PLATING:
 - 2.1 USB CONTACT: Half gold fog tin 1U" MIN PLATED ON CONTACT AREA TIN 100U" MIN PLATED ON SOLDER TAIL AREA NICKEL 50U" MIN UNDERPLATING OVERALL.
 - 2.2 HDMI CONTACT: Au 1U" MIN PLATED ON CONTACT AREA TIN 100U" MIN PLATED ON SOLDER TAIL AREA NICKEL 50U" MIN UNDERPLATING OVERALL.
 - 2.3 HDMI SHELL: NICKEL 50U" MIN PLATED
 - *"標是重估管控尺寸

SPECIFICATIONS

- USB
 - 1.1 Operation Voltage: 250 VAC(RMS) Max.
 - 1.2 Current Rating: 1.5 Ampere per Pontact
 - 1.3 Contact Resistance: 30 Milliohms Max.
 - 1.4 Insulation Resistance: 1000 Megohms Min.
 - 1.5 Dielectric Withstanding Voltage: 750 VAC(RMS)
 - 1.6 Total Mating Force: 3.57 Kgf Max.
 - 1.7 Total Unmating Force: 1.02 Kgf Min.
 - 1.8 Operating Temperature: -55°C to +85°C
- HDMI
 - 2.1 Operation Voltage: 40 VAC(RMS) Max.
 - 2.2 Current Rating: 0.5 Ampere per Contact
 - 2.3 Contact Resistance: 30 Milliohms Max.
 - 2.4 Insulation Resistance: 100 Megohms Min.
 - 2.5 Dielectric Withstanding Voltage: 500 VAC(RMS)
 - 2.6 Total Mating Force: 4.5 Kgf Max.
 - 2.7 Total Unmating Force: 1.0 Kgf Min.
 - 2.8 Operating Temperature: -55°C to +85°C

料號	USB端子電鍍規格	HDMI端子電鍍規格	鐵殼材質/電鍍
AUS+A02P-HDMI34	半金1u"霧錫	半金1u" Au	SUS430鍍鎳 (先鍍後沖)

單位(UNITS)	mm
數量(QT'Y)	N/A
材料(MT'L)	SEE NOTE
處理(FINISH)	SEE NOTE

DIMENSIONS TOLERANCE	
METRIC	
.0=±0.38	
.00=±0.25	
.000=±0.15	
ANG.=±2°	

東莞翊豐精密五金有限公司

圖名(NAME) 雙層USB 2.0半金1u"霧錫+HDMI (本廠)半金1u"噴AMCO 鐵殼SUS430鍍鎳 (先鍍後沖) RoHS			
料號(PART NUMBER)		AUS+A02P-HDMI34	
圖號(DRAW NUMBER)		RAUSA02PHDMI34	
圖檔(FILE NAME .DWG)		服務器/成品 (A) /USB/雙層	
比例(SCALE)	1/1	圖紙(SIZE)	A4
頁次(SHEET)	1/1	版次(REV.)	B