
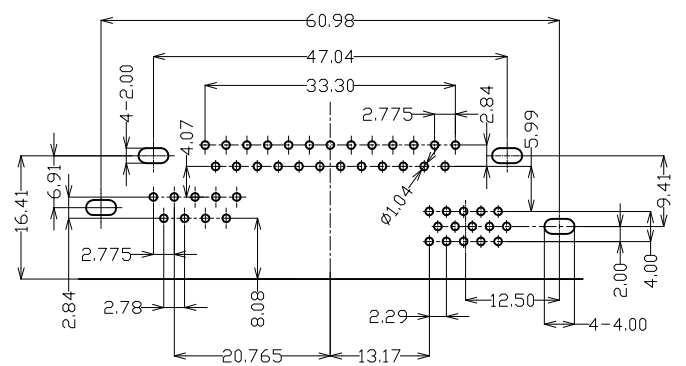
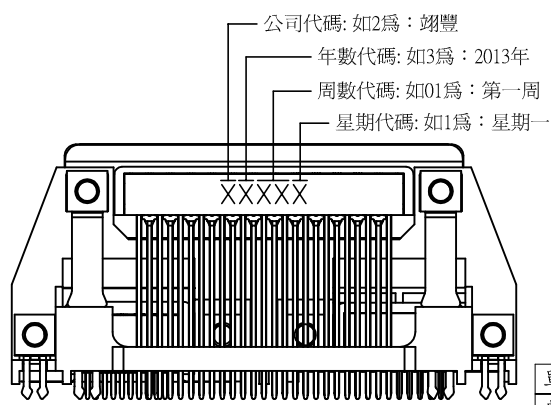
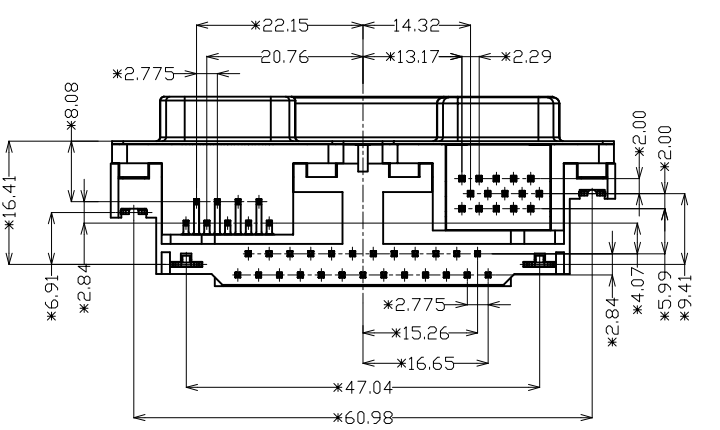
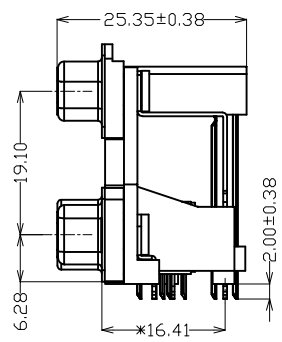
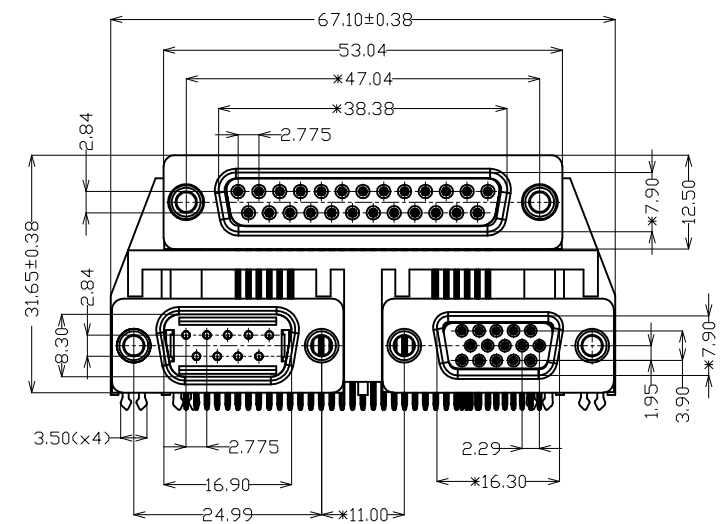
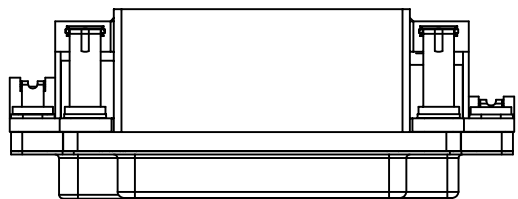


REV.	NOTES	DATE
A	RELEASED	2012/09/20
B	變更銅釘材質 	2015/12/14



P.C.B LAYOUT  
VIEW TOP (tolerance±0.05)

- NOTES:
- MATERIAL
    - HOUSING: PA9T HSF UL94-V-0
    - CONTACT: BRASS, T=0.2 C2680-H
    - SHELL: COLD ROLLER STEEL T=0.4,
    - RIVET: COPPER ALLOY
  - FINISH
    - CONTACT:
      - 100u" TIN UNDERPLATED ENTIRE THE CONTACT SURFACE.
      - 1u" MIN Au PLATED ON THE CONTACT AREA
    - SHELL
      - 100u" NICKEL UNDERPLATED ENTIRE THE SHELL SURFACE.
  - ENVIRONMENTAL:
    - OPERATING TEMP: -55°C~+105°C
  - ELECTRICAL
    - CONTACT CURRENT RATING: 5Amp
    - DIELECTRIC WITHSTANDING: AC 1000V min. per minute
    - INSULATION RESISTANCE: >5000 MOHMS min. at 500V DC
    - CONTACT RESISTANCE: 25 MOHMS MAX
    - CONTACT INSERTION FORCE: 5kg MAX
    - CONTACT SEPTATION FORCE: 0.8kg/PIN MIN.
- "\*" 標示是重點管控尺寸

BACK VIEW

DIMENSIONS TOLERANCE	
METRIC	
0.0 ± 0.38	
0.00 ± 0.25	
0.000 ± 0.15	
ANG = ± 2	

單位 (UNITS)	mm
數量 (QT'Y)	N/A
材料 (MT'L)	SEE NOTE
處理 (FINISH)	SEE NOTE

東莞翊豐精密五金有限公司

圖名 (NAME) D-SUB三合一 25母+9公+15母 (19.10) 叉鉗 (新結構)

料號 (PART NUMBER) A31+709160+14  
圖號 (DRAW NUMBER) RP3170916014

圖檔 (FILE NAME .DWG)		頁次 (SHEET)		版次 (REV.)	
比例 (SCALE)	1/1	圖紙 (SIZE)	A4	頁次 (SHEET)	1
核准 (APP'D)					