
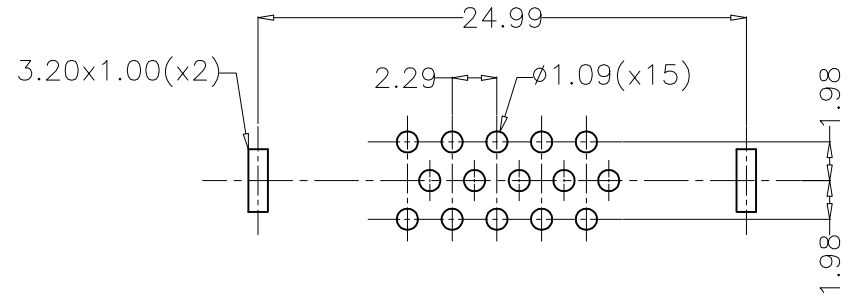
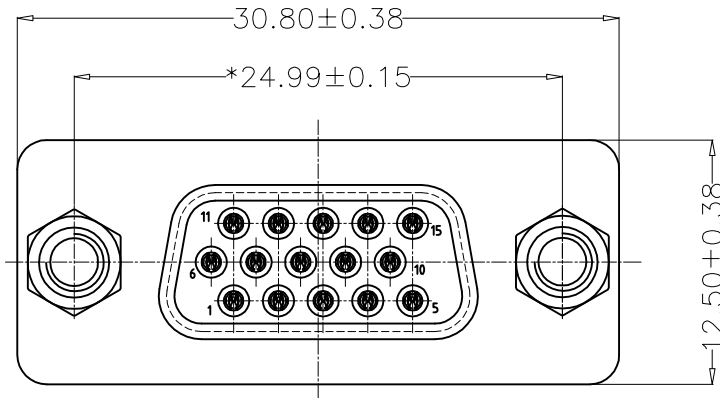


REV.	NOTES	DATE
A	RELEASED	2009/05/21
B	變更說明 	2013/12/17



P.C.B LAYOUT
BOTTOM VIEW (pcb:Tolerance±0.05)

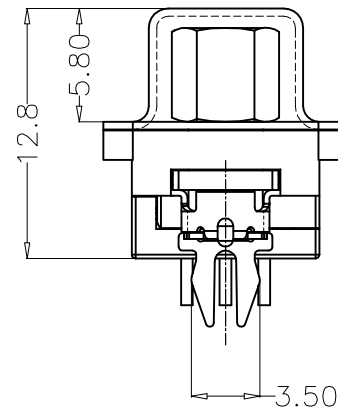
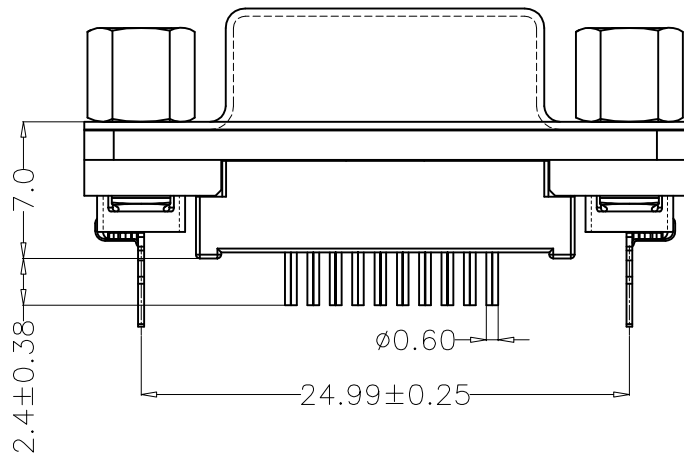
NOTES:

SHELL:SPCC,T=0.40mm,NICKEL PLATED,
HOUSING: PBT 30%G.F, UL94V-0,COLOR:BLACK
COVE: NYLON 9T, UL94V-0,COLOR:BLACK
CONTACT MATERIAL:BRASS ,PLATING:GOLD/TIN FINISHED
HARPOON:BRASS ,PLATING:TIN FINISHED
JACK SCREWS:BRASS MATERIAL,NICKEL FINISHED
WITH #4-40 THREADED ATTACHED

ELECTRICAL CHARACTERISTICS

CONTACT CURRENT RATING: 5.0 AMPS
CONTACT RESISTANCE: 30m OHMS MAX
DIELECTRIC WITHSTANDING VOLTAGE: 500V AC PER MIN
INSULATION RESISTANCE: 1000M OHMS MIN
TEMPERATURE RATING: -55°C~+105°C

*"標示是重點管控尺寸



成品料號	螺絲料號	螺絲材質	鐵殼鹽霧
A03+7022-0927	W02+0480*1000N	BRASS	48H

DIMENSIONS TOLERANCE	
METRIC	
.0 = ± .38	
.00 = ± .25	
.000 = ± .10	
.0000 = ±	
ANG = ± 1'	

單位(UNITS)	mm	東莞翊豐精密五金有限公司			
數量(QTY)	N/A				
材料(MTL)	SEE NOTE				
處理(FINISH)	SEE NOTE				
繪圖(DRAW)		圖名(NAME) HDB15P母180度插板7.0直板式鎖螺絲鹽霧48H RoHS			
設計(DE'N)		料號(PART NUMBER)	A03+7022-0927		
審校(CH'K)		圖號(DRAW NUMBER)	RA0370220927		
核准(APP'D)		圖檔(FILE NAME .DWG)		xuebing_h\hdb15pf-7.0-dlp 2claw	
		比例(SCALE)	1/1	圖紙(SIZE)	A4
		頁次(SHEET)	1	版次(REV.)	B