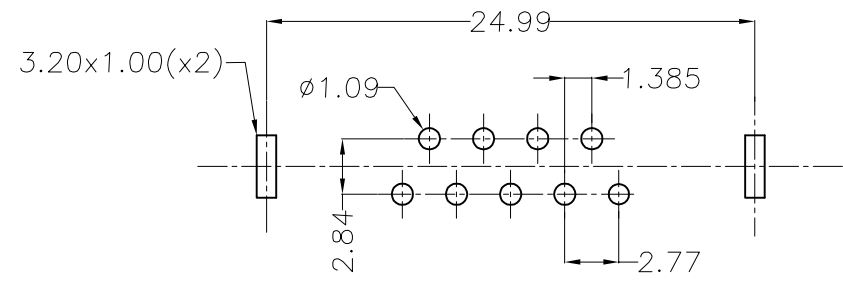
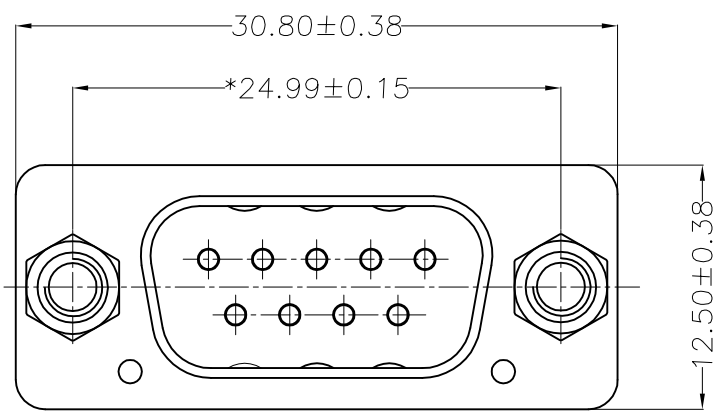
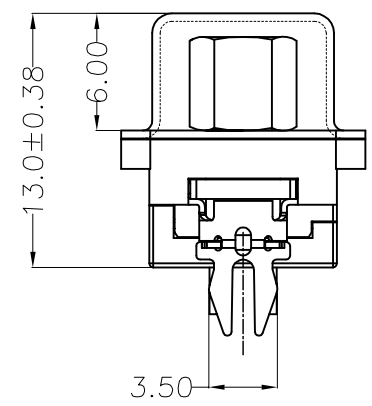
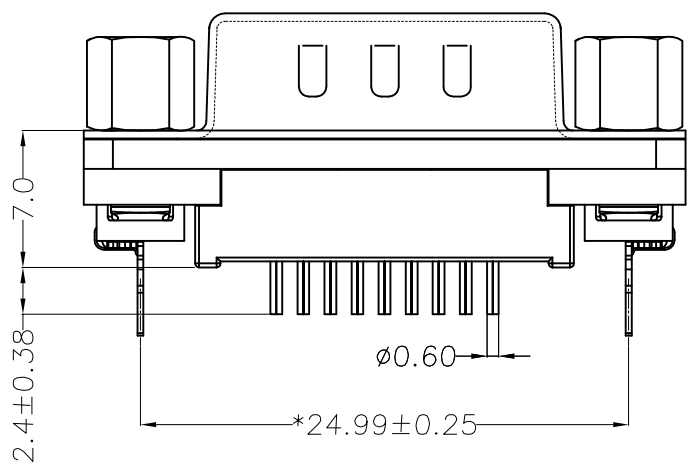


| REV. | NOTES | DATE |
|------|----------|------------|
| A | RELEASED | 2011/05/26 |
| B | 增加料號 | 2012/02/13 |
| C | 變更說明 | 2013/12/17 |



P.C.B LAYOUT
BOTTOM VIEW(pcb:Tolerance±0.05)



NOTES:
SHELL:SPCC,T=0.40mm,NICKEL PLATED,
HOUSING: PBT 30%G.F, UL94V-0,COLOR:BLACK
COVE: NYLON9T 30%G.F, UL94V-0,COLOR:BLACK
CONTACT MATERIAL:BRASS ,PLATING:GOLD/TIN FINISHED
HARPOON:BRASS ,PLATING:TIN FINISHED
 JACK SCREWS:BRASS/IRON MATERIAL,NICKEL FINISHED WITH #4-40 THREADED ATTACHED

ELECTRICAL CHARACTERISTICS
CONTACT CURRENT RATING: 5.0 AMPS
CONTACT RESISTANCE: 30m OHMS MAX
DIELECTRIC WITHSTANDING VOLTAGE: 500V AC PER MIN
INSULATION RESISTANCE: 1000M OHMS MIN
TEMPERATURE RATING: -55°C~+105°C
"*"標示是重點管控尺寸

| 成品料號 | 螺絲料號 | 螺絲材質 | 鐵殼鹽霧要求 |
|-----------------|-----------------|-------|--------|
| A02+0912-201011 | W02+0480*1000N | BRASS | 48H |
| A02+0912-201017 | W02+0480*1000N3 | IRON | 8H |

| DIMENSIONS TOLERANCE | |
|----------------------|--|
| METRIC | |
| .0= ±.38 | |
| .00= ±.25 | |
| .000= ±.15 | |
| .0000= ± | |
| ANG.= ± 1° | |

| | |
|------------|----------|
| 單位(UNITS) | mm |
| 數量(QTY) | N/A |
| 材料(MTL) | SEE NOTE |
| 處理(FINISH) | SEE NOTE |

東莞翊豐精密五金有限公司

| | | | | | |
|---|-----|----------|-------------------------------|-----------|---|
| 圖名(NAME) DB 9P 公180度插板(7.0)直板式鎖螺絲殼 RoHS2.0 | | | | | |
| 料號(PART NUMBER) | | | A02+0912-201011 | | |
| 圖號(DRAW NUMBER) | | | RA020912201011 | | |
| 圖檔(FILE NAME .DWG) | | | e:\xuebing_h\DB9公180度7.0插板直板式 | | |
| 比例(SCALE) | 1/1 | 圖紙(SIZE) | A4 | 頁次(SHEET) | 1 |
| | | 版次(REV.) | | | C |