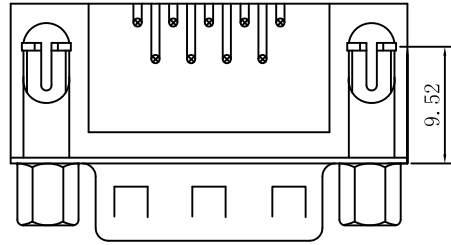


REV.	NOTES	DATE
A	RELEASED	2015/12/15
B	增加螺丝规格	2017/07/11

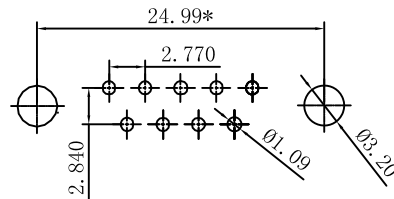
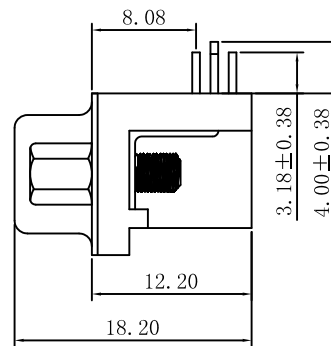
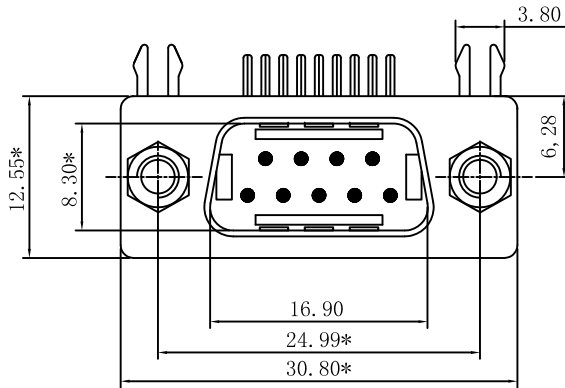


Electrical Characteristics:

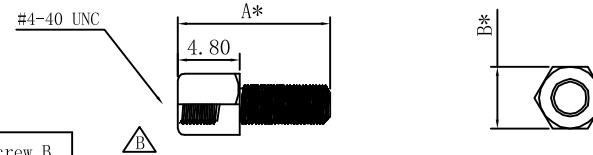
1. Current Rating: 5 AMP
2. Withstanding Voltage: AC 500V for 1 Minute.
3. Insulation Resistance: 1000MΩ Min. at DC 500v.
4. Contact Resistance: 15mΩ Max.
5. Operating Temperature: -40° c to 105° c.

Material:

1. Insulator: PBT+30% Glass Fiber (UL94v-0).
  2. Contact: Brass
  3. Contact plated: Glod Flash over Tin or Glod Plated Tin Plated
  4. Shell: Steel Nickel Plated
  5. Housing color: Black
- Plus "\*" as the key control size



PART NO.	Screw A	Screw B
AA02+0913-2080	11.80	4.75
AA02+0913-2081	13.00	5.80



DIMENSIONS TOLERANCE	
METRIC	
.0=	±.38
.00=	±.25
.000=	±.15
.0000=	±
ANG.=	±2°

單位(UNITS)	mm	東莞翊豐精密五金有限公司			
數量(QTY)	N/A				
材料(MTL)	SEE NOTE				
處理(FINISH)	SEE NOTE				
繪圖(DRAW)		圖名(NAME) DR9公8.1叉鎖半金黑 RoHS			
設計(DE'N)		料號(PART NUMBER)	AA02+0913-208X		
審校(CH'K)		圖號(DRAW NUMBER)	RA0209132080		
		圖檔(FILE NAME .DWG)	E:GCT/A/02/091 /8		
核准(APP'D)		比例(SCALE)	1/1	圖紙(SIZE)	A4
		頁次(SHEET)	1	版次(REV.)	B