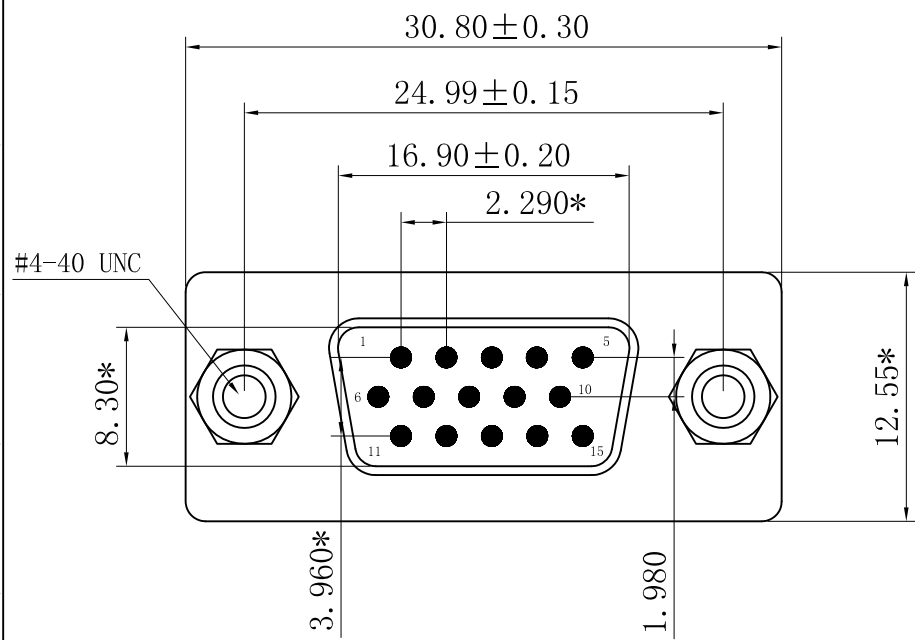


REV.	NOTES	DATE
A	RELEASED	2017/07/04

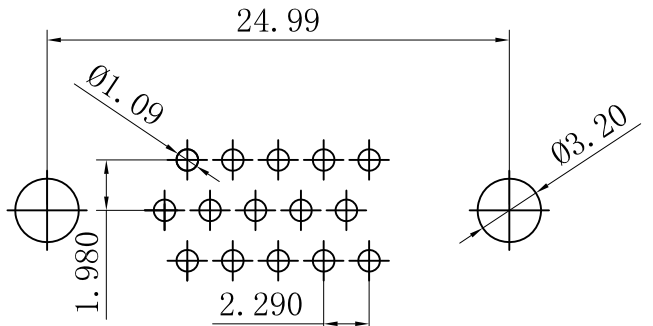
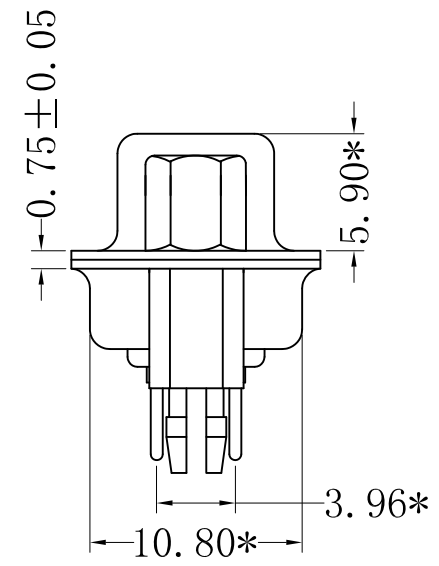
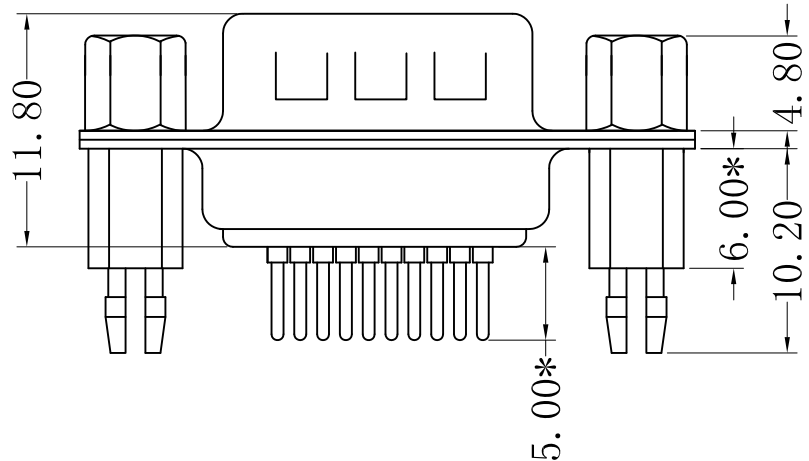


MATERIAL:

1. Insulator: PBT+30%Glass Fiber (UL94V-0)
2. Contact: Brass
3. Contact Plated: Glod Flash over Tin Or Glod Plated Or Tin Plated
4. Shell: Stell, Nickel Plated

SPECIFICATION:

1. Current Rating: 5 AMPS
2. Insulation Resistance: 1000MΩMIN. At 500VDC
3. Dielectric Strength: 500V for One minute
4. Operation Temperature: -55° ~ +105° .



DIMENSIONS TOLERANCE METRIC

X	±0.5
X.X	±0.30
X.XX	±0.20
ANGLES	
X	±1'
X.X	±0.5'

單位(UNITS)	mm	東莞翊豐精密五金有限公司			
數量(QT'Y)	N/A				
材料(MT'L)	SEE NOTE				
處理(FINISH)	SEE NOTE				
繪圖(DRAW)		圖名(NAME) D-SUB 15PIN 公座 直立式DIP			
設計(DE'N)		料號(PART NUMBER)	AA03+DS15-0704		
審核(CH'K)		圖號(DRAW NUMBER)			
核准(APP'D)		圖檔(FILE NAME .DWG)			
比例(SCALE)	1/1	圖紙(SIZE)	A4	頁次(SHEET)	1
				版次(REV.)	A