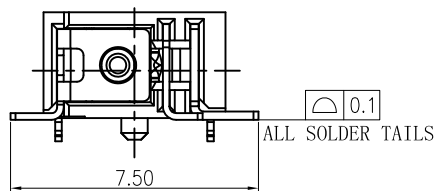
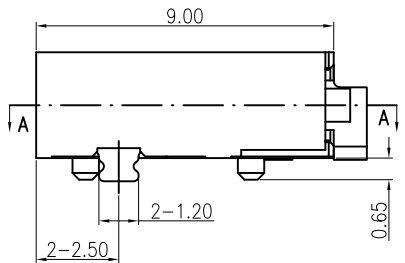
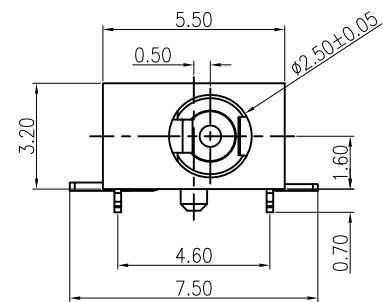
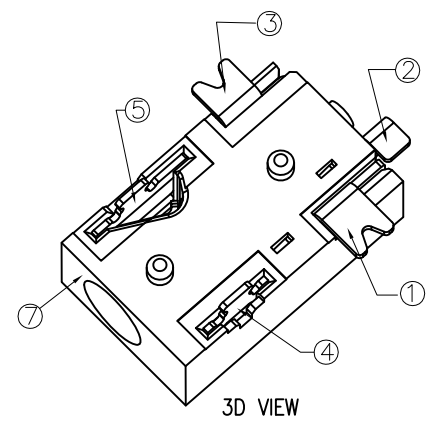
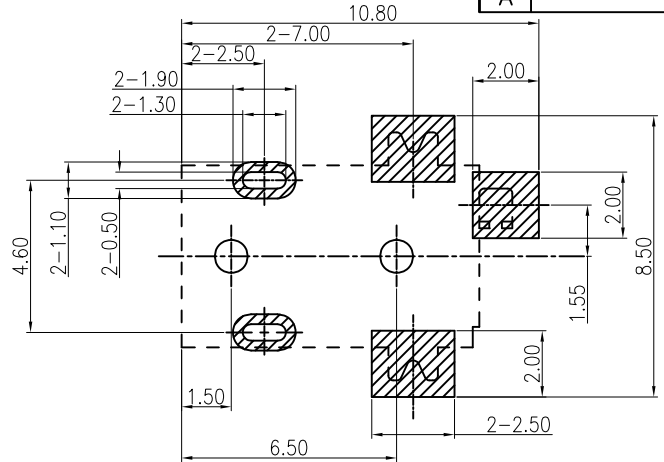
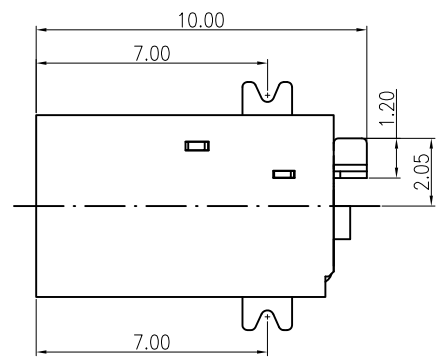
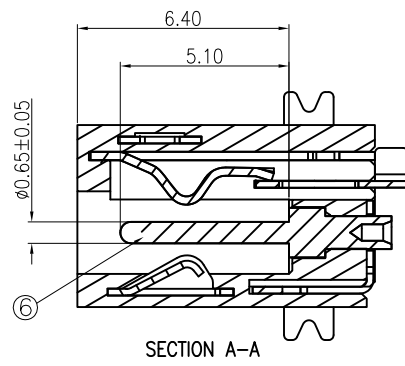
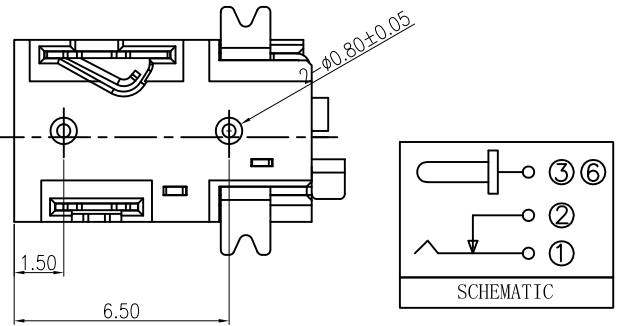
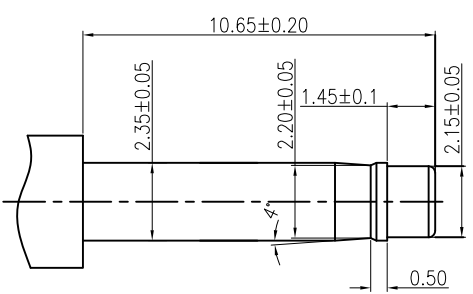


REV.	NOTES	DATE
A	RELEASED	2017/06/19



SPECIFICATIONS:

- ELECTRICAL CHARACTERISTICS:
 - RATING: 1.0A MAX.
 - CONTACT RESISTANCE: 30mΩ MAX.(INITIAL)
 - DIELECTRIC WITHSTANDING VOLTAGE: 500V AC FOR ONE MINUTE
 - INSULATION RESISTANCE: 100MΩ MIN. MEASURED BY 500V DC
- MECHANICAL CHARACTERISTICS:
 - INSERTION FORCE : 0.3~3.0 KGF
 - WITHDRAWAL FORCE : 0.3~3.0 KGF
- LIFE TEST: 5,000 CYCLES MIN.
- FOR REFLOW SOLDERING LEAD-FREE PROCESS.



NO.	DESCRIPTION	QTY	MATERIAL	PLATING & COLOR
⑦	HOUSING PH-DC-0522-L6	1	HIGHT TEMPERATURE PLASTIC	BLACK
⑥	PIN MT-DC-0522-07Q4N	1	BRASS	50~80 Nickel
⑤	TERMINAL MT-DC-0522-5M2S	1	STAINLESS STEEL 0.2T	20u" Ag Plating
④	TERMINAL MT-DC-0522-4M2S	1	STAINLESS STEEL 0.2T	20u" Ag Plating
③	TERMINAL MT-DC-0522-3Q1S	1	PHOSPHOR BRONZE 0.2T	20u" Ag Plating
②	TERMINAL MT-DC-0522-2Q1S	1	PHOSPHOR BRONZE 0.2T	20u" Ag Plating
①	TERMINAL MT-DC-0522-1Q1S	1	PHOSPHOR BRONZE 0.25T	20u" Ag Plating

單位(UNITS)	mm
數量(QT'Y)	N/A
材料(MT'L)	SEE NOTE
處理(FINISH)	SEE NOTE

東莞翊豐精密五金有限公司

圖名(NAME)
DC POWER JACK 中心PIN 0.65 外圍2.5

料號(PART NUMBER) AAPJ-0522-07L63

圖號(DRAW NUMBER)

圖檔(FILE NAME .DWG)

比例(SCALE)	1/1	圖紙(SIZE)	A4	頁次(SHEET)	1	版次(REV.)	A
-----------	-----	----------	----	-----------	---	----------	---

DIMENSIONS TOLERANCE METRIC

X : ±0.5
 X.X : ±0.30
 X.XX : ±0.20

ANGLES

X : ±1°
 X.X : ±0.5°

($\phi 2.35$ mm DC PLUG DETAIL DRAWING)

SCHEMATIC