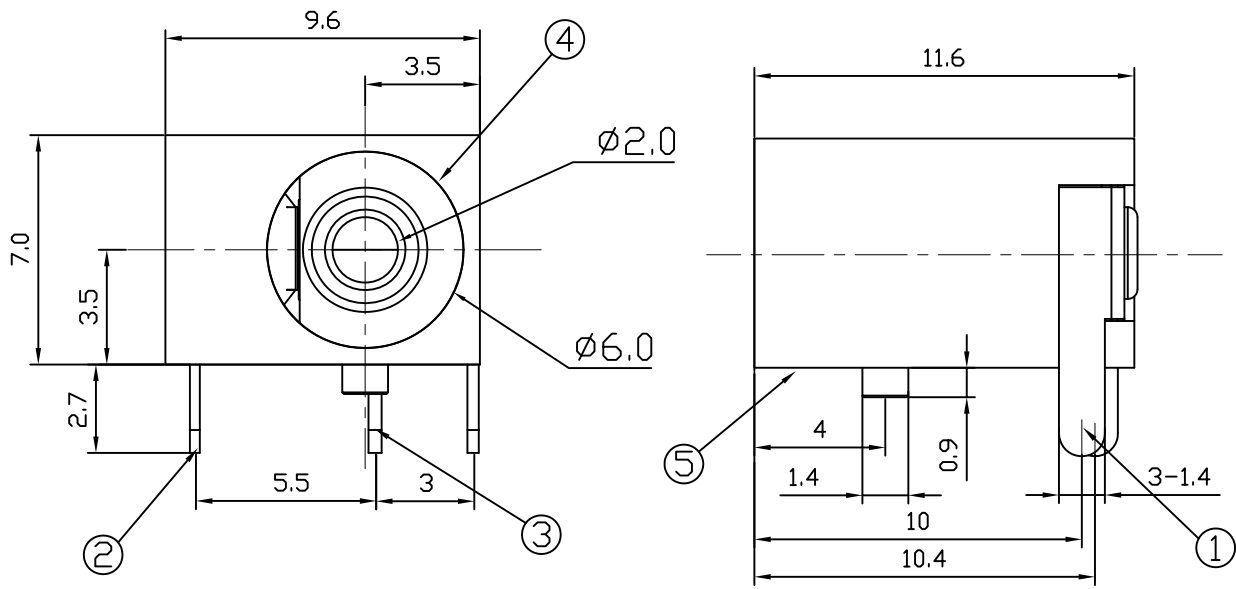
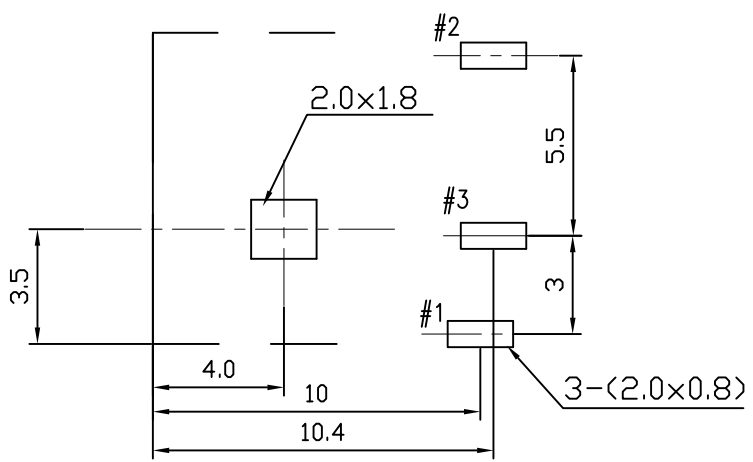
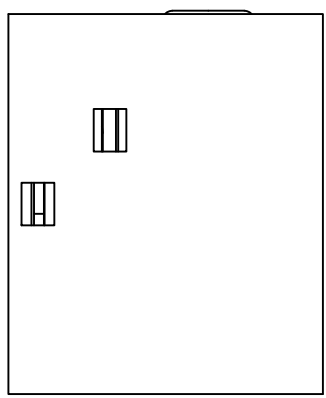


REV.	NOTES	DATE
A	RELEASED	2014/01/21
B	修改图面尺寸	2017/07/05



- SPECIFICATIONS:
- ELECTRICAL CHARACTERISTICS:
 - RATING Voltage: DC 12V maximum
RATING Current: 1.0 Ampere maximum per contact
 - CONTACT RESISTANCE: 30mΩ MAX.(INITIAL)
 - DIELECTRIC WITHSTANDING VOLTAGE: 500V AC FOR ONE MINUTE
 - INSULATION RESISTANCE: 100MΩ MIN. MEASURED BY 500V DC
 - MECHANICAL CHARACTERISTICS:
 - INSERTION FORCE : 0.3~3.0 KGF
 - WITHDRAWAL FORCE : 0.3~3.0 KGF
 - LIFE TEST: 5,000 CYCLES MIN.
 - FOR REFLOW SOLDERING LEAD-FREE PROCESS.



线路板安装尺寸示意图

NO.	DESCRIPTION	QTY	MATERIAL	PLATING & COLOR
5	基座	1PCS	PA 66	黑色
4	插针	1PCS	H65 黄铜 φ=2.0	电镀：银
3	静触片	1PCS	H65 黄铜 t=0.40	电镀：银
2	动触片	1PCS	磷铜 t=0.30	电镀：银
1	插针脚	1PCS	H65 黄铜 t=0.40	电镀：银

單位(UNITS)	mm
數量(QTY)	N/A
材料(MT'L)	SEE NOTE
處理(FINISH)	SEE NOTE

東莞翊豐精密五金有限公司

圖名(NAME)
DC POWER JACK 中心PIN 2.0 外圓6.0
90度DIP 电镀银

料號(PART NUMBER) AAPJ+0007-20Z1S Y

圖號(DRAW NUMBER)

圖檔(FILE NAME .DWG)

DIMENSIONS TOLERANCE
METRIC
.0=±0.30
.00=±0.20
.000=±0.10
ANG.=±2°

繪圖(DRAW)	
設計(DE'N)	
審校(CH'K)	
核准(APP'D)	

比例(SCALE)	1/1	圖紙(SIZE)	A4	頁次(SHEET)	1	版次(REV.)	A
-----------	-----	----------	----	-----------	---	----------	---

