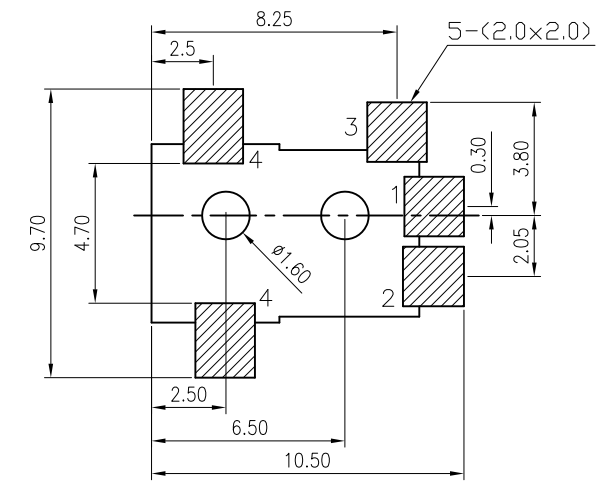
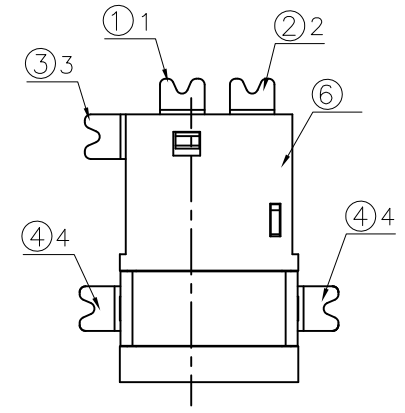
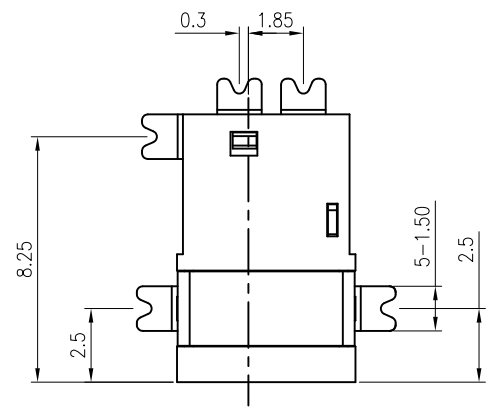


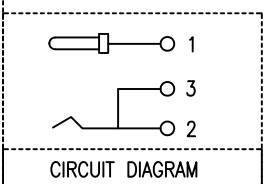
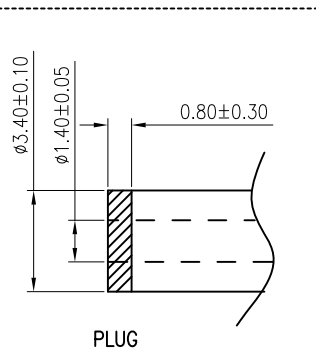
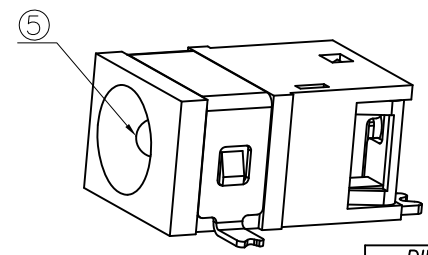
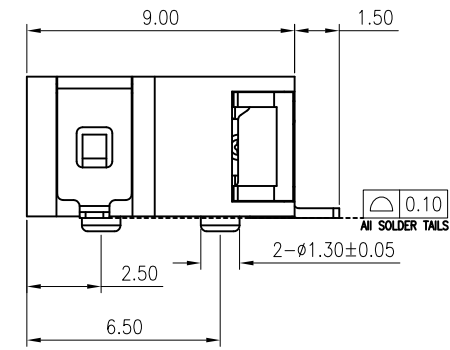
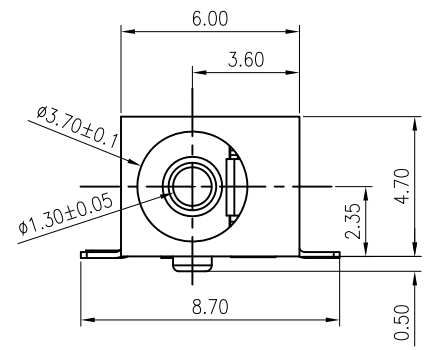
REV.	NOTES	DATE
A	RELEASED	2017/08/24



RECOMMENDED P.C.B. LAYOUT
TOP VIEW (TOLERANCE: ±0.05)

SPECIFICATIONS:

- ELECTRICAL CHARACTERISTICS:
 - 1-1. RATING: 24V 1A
 - 1-2. CONTACT RESISTANCE: 30mΩ MAX.(INITIAL)
 - 1-3. DIELECTRIC WITHSTANDING VOLTAGE: 500V AC FOR ONE MINUTE
 - 1-4. INSULATION RESISTANCE: 100MΩ MIN. MEASURED BY 500V DC
- MECHANICAL CHARACTERISTICS:
 - 2-1. INSERTION FORCE : 0.3~3.0 KGF
 - 2-2. WITHDRAWAL FORCE : 0.3~3.0 KGF
- LIFE TEST: 5,000 CYCLES MIN.
- FOR REFLOW SOLDERING LEAD-FREE PROCESS.



DIMENSIONS TOLERANCE METRIC

X : ±0.5
X.X : ±0.30
X.XX : ±0.20

ANGLES

X : ±1°
X.X : ±0.5°

NO.	DESCRIPTION	QTY	MATERIAL	PLATING & COLOR
⑥	HOUSING		PA9T	BLACK
⑤	ENTER PIN		BRASS φ=1.3	Sn-plated
④	TERMINAL 4#	1	BRASS t=0.25	Ag-plated
③	TERMINAL 3#	1	BRASS t=0.25	Ag-plated
②	TERMINAL 2#	1	STAINLESS STEEL PLATE t=0.30	Ag-plated
①	TERMINAL 1#	1	BRASS t=0.25	Ag-plated

單位(UNITS)	mm
數量(QT'Y)	N/A
材料(MT'L)	SEE NOTE
處理(FINISH)	SEE NOTE

東莞翊豐精密五金有限公司

圖名(NAME)
DC POWER JACK 90度SMT 外圍3.7M中心1.3MM

料號(PART NUMBER)	AAPJ+DC05P-0512
圖號(DRAW NUMBER)	
圖檔(FILE NAME .DWG)	
比例(SCALE)	1/1
圖紙(SIZE)	A4
頁次(SHEET)	1
版次(REV.)	A