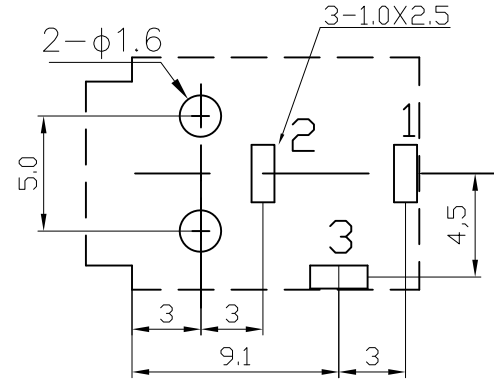
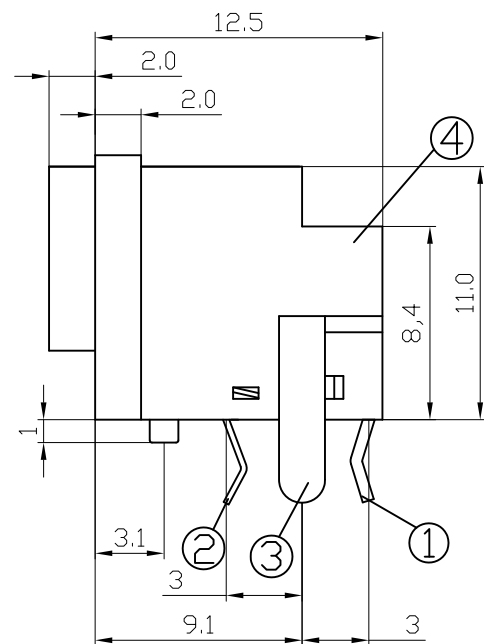
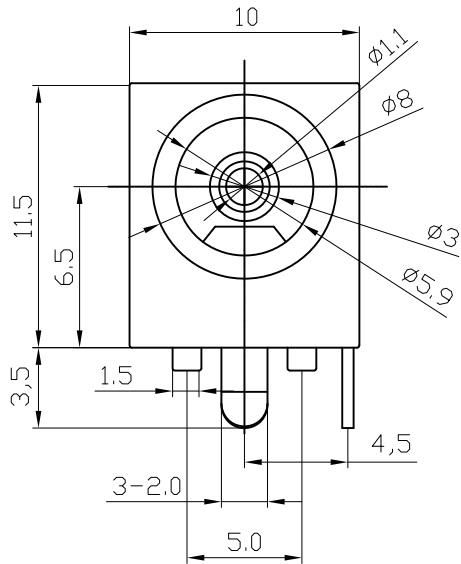


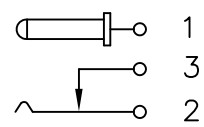
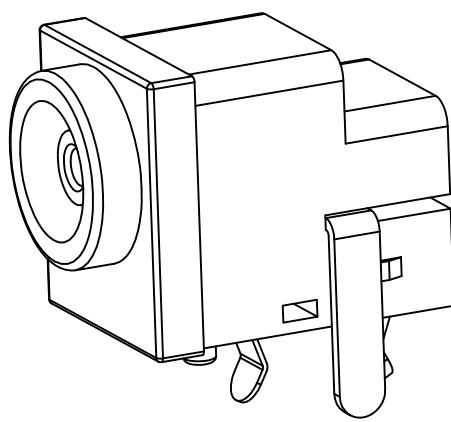
REV.	NOTES	DATE
A		



PCB LAYOUT TOP VIEW

SPECIFICATIONS:

- ELECTRICAL CHARACTERISTICS:
 - RATING:
 - CONTACT RESISTANCE: 30mΩ MAX.(INITIAL)
 - DIELECTRIC WITHSTANDING VOLTAGE: 500V AC FOR ONE MINUTE
 - INSULATION RESISTANCE: 100MΩ MIN. MEASURED BY 500V DC
- MECHANICAL CHARACTERISTICS:
 - INSERTION FORCE : 0.3~3.0 KGF
 - WITHDRAWAL FORCE : 0.3~3.0 KGF
- LIFE TEST: 5,000 CYCLES MIN.
- FOR REFLOW SOLDERING LEAD-FREE PROCESS.



DIMENSIONS TOLERANCE METRIC
 X : ±0.5
 X.X : ±0.30
 X.XX : ±0.20
ANGLES
 X : ±1°
 X.X : ±0.5°

④	HOUSING	1	PBT (Black)	
③	TERMINAL	1	BRASS t=0.45	Ag-Plated
②	TERMINAL	1	PHOSPHOR BRONZE t=0.25	Ag-Plated
①	TERMINAL	1	BRASS t=0.40	Ag-Plated
No.	PART NAME	QTY	MATERIAL (THICK, COLOR)	REMARK
單位(UNITS)		mm		
數量(QT'Y)		N/A		
材料(MT'L)		SEE NOTE		
處理(FINISH)		SEE NOTE		
繪圖(DRAW)		圖名(NAME)		
設計(DE'N)		料號(PART NUMBER)		AAPJ+DC013-30Z2T
審核(CH'K)		圖號(DRAW NUMBER)		
核准(APP'D)		圖檔(FILE NAME .DWG)		
比例(SCALE)		1/1	圖紙(SIZE)	A4
		頁次(SHEET)	1	版次(REV.) A

東莞翊豐精密五金有限公司

DC POWER JACK 中心PIN 1.1 外圓8.0