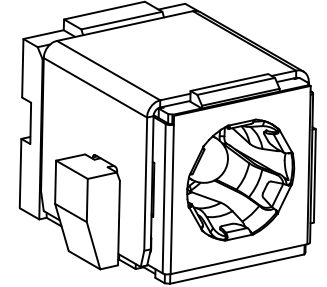
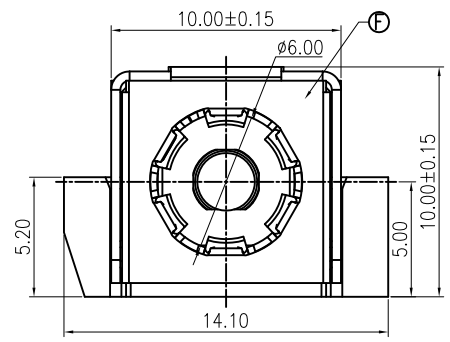
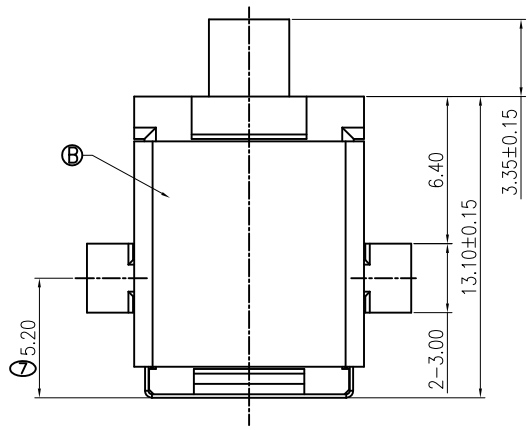
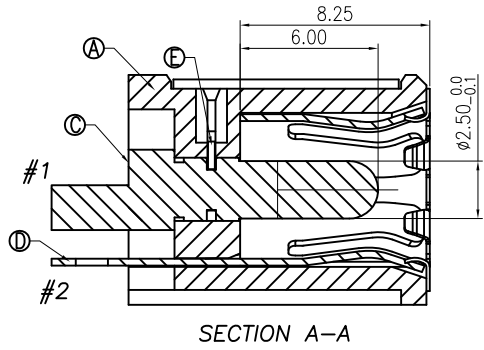
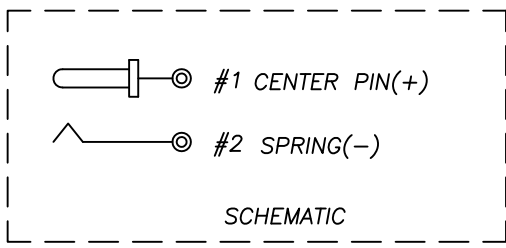
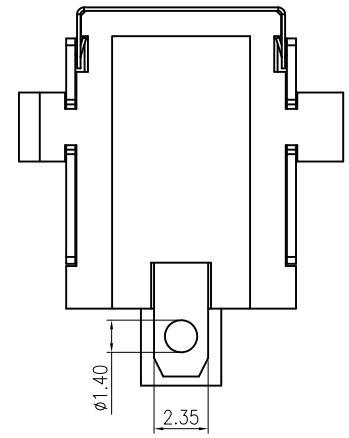
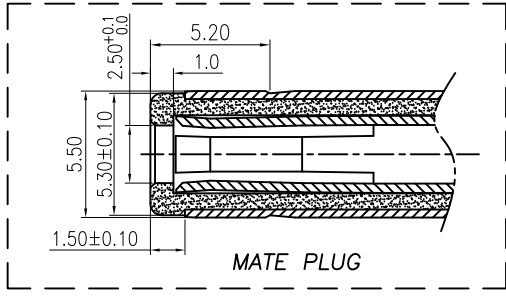


| | | |
|------|----------|------------|
| REV. | NOTES | DATE |
| A | RELEASED | 2016/03/18 |



SPECIFICATIONS:

- ELECTRICAL CHARACTERISTICS:**
 - 1-1. RATING: 20V 10A
 - 1-2. CONTACT RESISTANCE: 30mΩ MAX.(INITIAL)
 - 1-3. DIELECTRIC WITHSTANDING VOLTAGE: 500V AC FOR ONE MINUTE
 - 1-4. INSULATION RESISTANCE: 100MΩ MIN. MEASURED BY 500V DC
- MECHANICAL CHARACTERISTICS:**
 - 2-1. INSERTION FORCE : 3.0 Kgf MAX.
 - 2-2. WITHDRAWAL FORCE : 0.3Kgf MIN.
- LIFE TEST: 5,000 CYCLES MIN.**



| NO. | DESCRIPTION | QTY | MATERIAL | PLATING & COLOR |
|-----|-----------------|-----|---------------------|-----------------|
| F | COVER | 1 | SUS t=0.15 | |
| E | STOPPER | 1 | SUS t=0.30 | |
| D | TERMINAL SPRING | 1 | COPPER ALLOY t=0.30 | Sn 60u"/Ni 50u" |
| C | CENTER PIN | 1 | COPPER ALLOY | GOLD FLASH |
| B | SHELL | 1 | SUS t=0.40 | Ni 50u" |
| A | HOUSING | 1 | THERMOPLASTIC | BLACK |

DIMENSIONS TOLERANCE METRIC

X : ±0.5
 X.X : ±0.30
 X.XX : ±0.20

ANGLES

X : ±1°
 X.X : ±0.5°

| | | | | | |
|------------|----------|---|------------------|-----------|---|
| 單位(UNITS) | mm | 東莞翊豐精密五金有限公司 | | | |
| 數量(QT'Y) | N/A | | | | |
| 材料(MT'L) | SEE NOTE | | | | |
| 處理(FINISH) | SEE NOTE | | | | |
| 繪圖(DRAW) | | 圖名(NAME) DC POWER JACK 中心PIN 2.5 外圓6.0 加外殼 | | | |
| 設計(DE'N) | | 料號(PART NUMBER) | AAPJ+DC093-25Z1N | | |
| 審核(CH'K) | | 圖號(DRAW NUMBER) | | | |
| 核准(APP'D) | | 圖檔(FILE NAME .DWG) | | | |
| 比例(SCALE) | 1/1 | 圖紙(SIZE) | A4 | 頁次(SHEET) | 1 |
| | | 版次(REV.) | A | | |