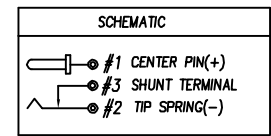
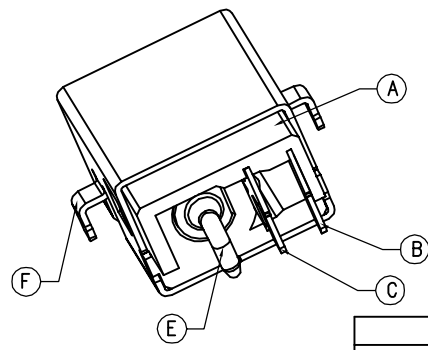
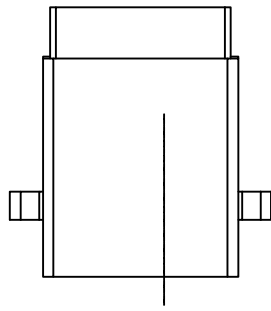
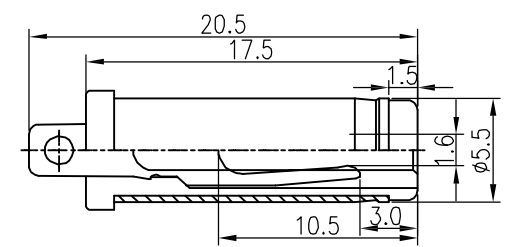
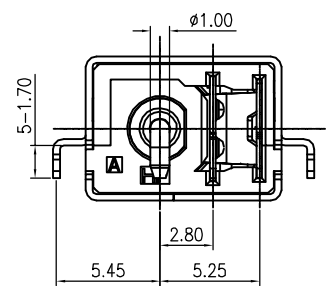
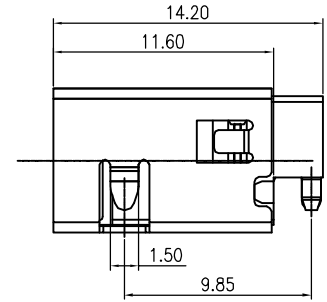
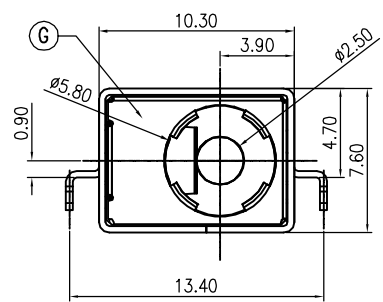


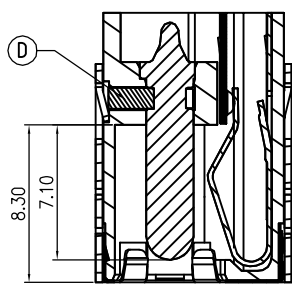
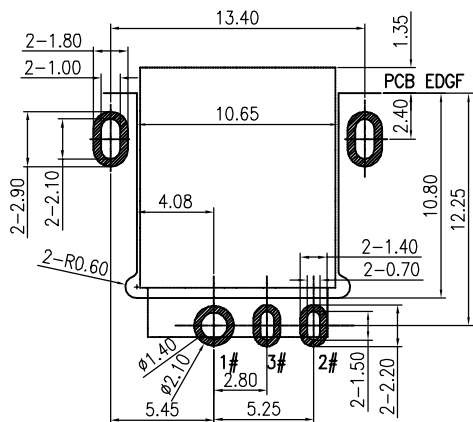
REV.	NOTES	DATE
A	RELEASED	2016/04/12



- SPECIFICATIONS:
- ELECTRICAL CHARACTERISTICS:
 - RATING:
 - CONTACT RESISTANCE: 30mΩ MAX.(INITIAL)
 - DIELECTRIC WITHSTANDING VOLTAGE: 500V AC FOR ONE MINUTE
 - INSULATION RESISTANCE: 100MΩ MIN. MEASURED BY 500V DC
 - MECHANICAL CHARACTERISTICS:
 - INSERTION FORCE : 0.3~3.0 KGF
 - WITHDRAWAL FORCE : 0.3~3.0 KGF
 - LIFE TEST: 5,000 CYCLES MIN.
 - FOR REFLOW SOLDERING LEAD-FREE PROCESS.



MATING PLUG $\phi 5.50$



PART NO.

G	GROUNDING	1	STAINLESS 0.1T	N/A
F	SHIELDING	1	BRASS 0.35T	Ni 60u"
E	PIN	1	BRASS	Ni 50u"
D	STOPPER	1	SUS430 0.30T	cleaning
C	SHUNT TERMINAL	1	BRASS STRIP 0.3T	Ag 20u" OVER Ni 20u"
B	TIP SPRING	1	COPPER ALLOY 0.25T	Ag 20u" OVER Ni 20u"
A	BODY	1	HIGH TEMP. THFRMOPLASTIC	BLACK
NO.	DESCRIPTION	QTY	MATERIAL	PLATING & COLOR

RECOMMEND P.C.B LAYOUT
TOP VIEW (TOLERANCES:0.05)

DIMENSIONS TOLERANCE METRIC

X : ±0.5
X.X : ±0.30
X.XX : ±0.20

ANGLES

X : ±1°
X.X : ±0.5°

單位(UNITS)	mm	東莞翊豐精密五金有限公司
數量(QT'Y)	N/A	
材料(MT'L)	SEE NOTE	
處理(FINISH)	SEE NOTE	
繪圖(DRAW)		圖名(NAME) DC POWER JACK 中心PIN 2.5 外圍5.8 加外壳
設計(DE'N)		料號(PART NUMBER) AAPJ+DC534-25L1S
審核(CH'K)		圖號(DRAW NUMBER)
核准(APP'D)		圖檔(FILE NAME .DWG)
比例(SCALE)	1/1	圖紙(SIZE) A4
		頁次(SHEET) 1
		版次(REV.) A