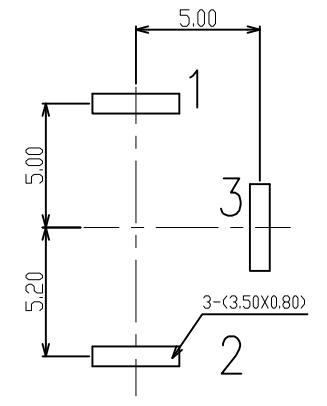
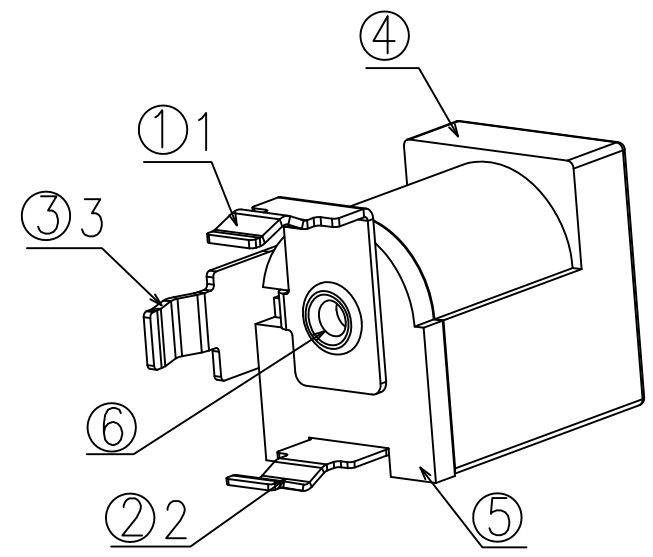
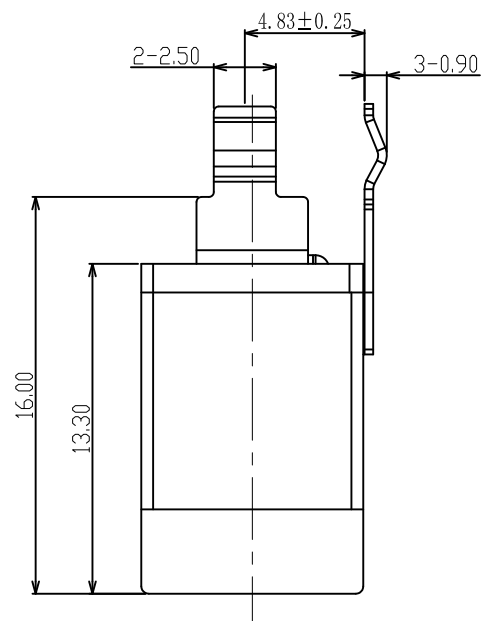
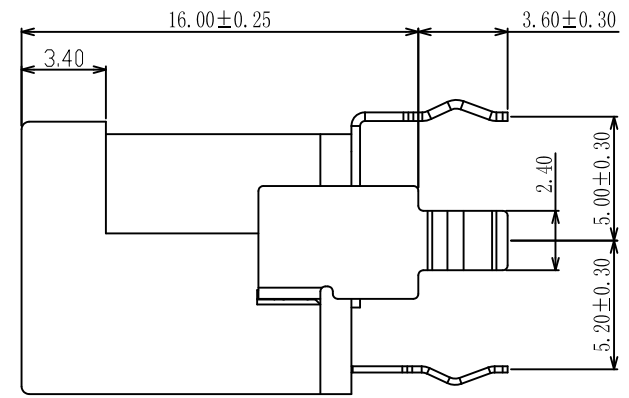
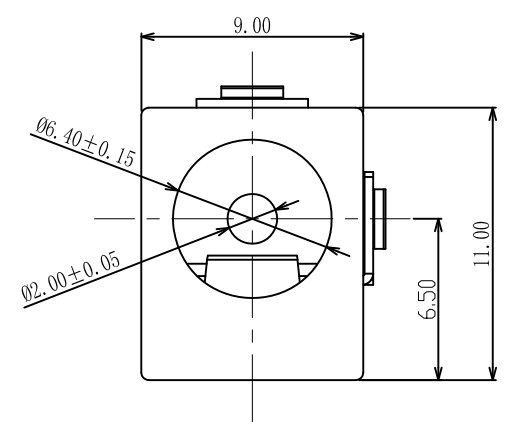


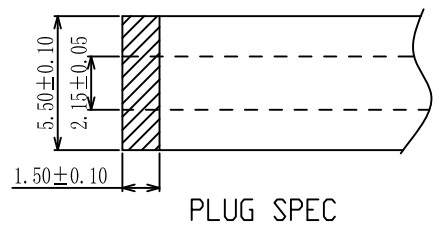
REV.	NOTES	DATE
A	RELEASED	2017/09/12



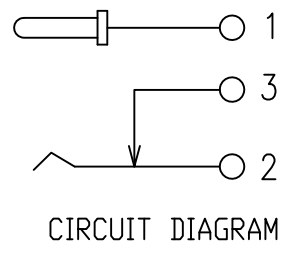
PCB LAYOUT TOP VIEW



No.	PART NAME	QTY	MATERIAL (THICK, COLOR)	REMARK
⑥	COVER	1		
⑤	HOUSING	1	PBT (Black)	
④	PIN	1	H59	Sn-Plated
③	TERMINAL	1	BRASS t=0.35	Sn-Plated
②	TERMINAL	1	PHOSPHOR BRONZE t=0.2	Sn-Plated
①	TERMINAL	1	BRASS t=0.35	Sn-Plated



PLUG SPEC



CIRCUIT DIAGRAM

DIMENSIONS TOLERANCE METRIC	
X	:±0.5
X.X	:±0.30
X.XX	:±0.20
ANGLES	
X	:±1°
X.X	:±0.5°

單位(UNITS)	mm	東莞翊豐精密五金有限公司							
數量(QT'Y)	N/A								
材料(MT'L)	SEE NOTE								
處理(FINISH)	SEE NOTE	圖名(NAME) DC POWER JACK 180度 外圓6.4中心2.0							
繪圖(DRAW)		料號(PART NUMBER)		AAPJ+JK03P-0051HS					
設計(DE'N)		圖號(DRAW NUMBER)							
審核(CH'K)		圖檔(FILE NAME .DWG)							
核准(APP'D)		比例(SCALE)	1/1	圖紙(SIZE)	A4	頁次(SHEET)	1	版次(REV.)	A