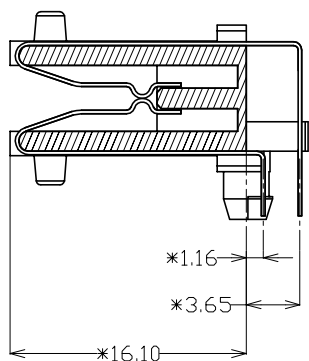
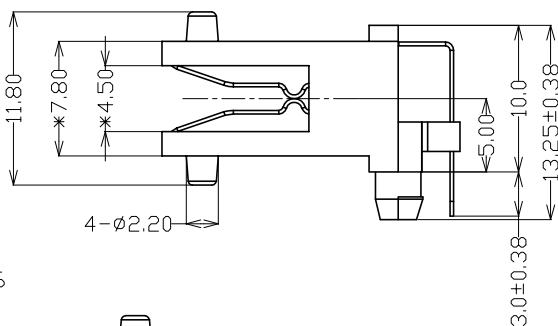
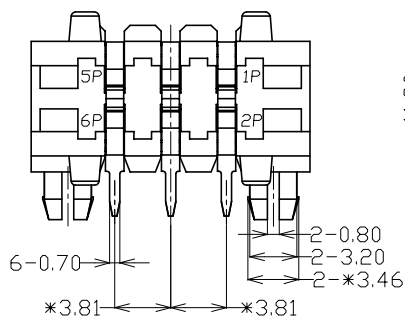


PBC EDGE

RECOMMENDED P.C.B LAYOUT(PCB T=1.6mm)
COMPONENT SIDE VIEW(TOLERANCE: ±0.05)



料號	膠芯顏色
A0E+92-F1	4755C
A0E+92-F2	RAL9002

REV.	NOTES	DATE
A	正版發行	2012/04/11
B	蘑菇頭由原來1/4變更為2/4	2012/08/13
C	變更膠芯·增加C角	2013/04/30
D	增加色號537C	2014/07/08
E	變更膠芯顏色色號: 537C->4755C	2014/09/29
F	增加膠芯顏色色號: RAL9002 的成品料號	2017/06/01
G	依2017-07-09異常單要求, 取消C版變更內容	2017/07/10

1. MATERIAL:

- 1.1 INSULATOR: PA9T+30%G.(UL 94V-0), COLOR:PANTONE 4755C/RAL9002
- 1.2 CONTACT: PHOSPHOR BRONZE, T=0.25mm

2. PLATING:

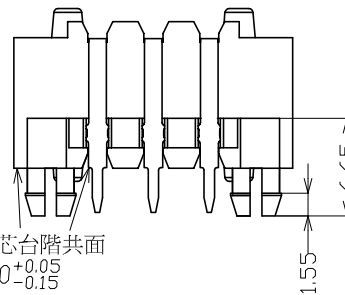
- 2.1 PIN 1~6PIN: GOLD FLASH PLATING IN CONTACT AREA, 120U" MIN. TIN PLATING IN SOLDER TAILS
- 50U" MIN. NICKEL UNDERPLATING OVERALL

3. ELECTRICAL CHARACTERISTICS:

- 3.1 CURRENT RATING: 3A AC,DC
- 3.2 VOLTAGE RATING: 250V AC,DC
- 3.3 CONTACT RESISTANCE:30MΩ MAX.
- 3.4 INSULATION RESISTANCE: 1000MΩ MIN,500V DC/MIN.
- 3.5 DIELECTRIC WITHSTANDING VOLTAGE:AC 500V PER MINUTE.
- 3.6 OPERATING:1500 CYCLES MIN.
- 3.7 PERATING TEMPERATURE:-40°C~+105°C.

4. NOTES:

- 4.1 THIS COMPONENT AND ITS HOMOGENEOUS SUBCOMPONENTS ARE RoHS COMPLIANT.
- 4.2 RESISTANCE TO SOLDERING HEAT:265°C FOR 10 SECONDS.
- 5.*"標示是重點管控尺寸



單位(UNITS)	mm
數量(QTY)	N/A
材料(MTL)	SEE NOTE
處理(FINISH)	SEE NOTE

DIMENSIONS TOLERANCE	
METRIC	
.0=±0.25	
.00=±0.20	
.000=±0.05	
ANG.=±2°	

繪圖(DRAW)	
設計(DE'N)	
審核(CH'K)	
核准(APP'D)	

翊豐精密五金有限公司

圖名(NAME)

TAE 90度 6PIN 電信頭

料號(PART NUMBER) A0E+92-F1

圖號(DRAW NUMBER) RA0E92F1

圖檔(FILE NAME .DWG)

比例 (SCALE)	1/1	圖紙 (SIZE)	A4	頁次 (SHEET)	1	版次 (REV.)	G
------------	-----	-----------	----	------------	---	-----------	---