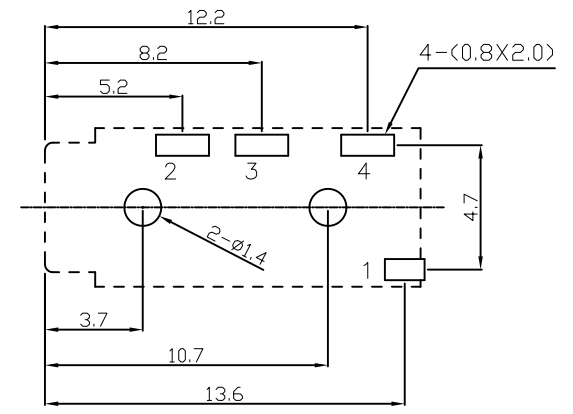
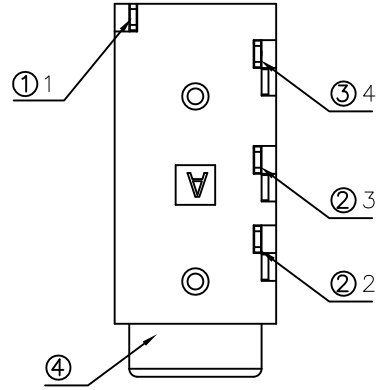
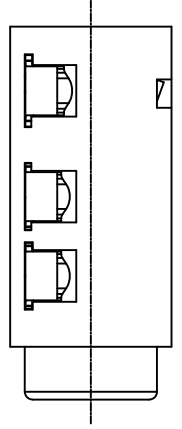
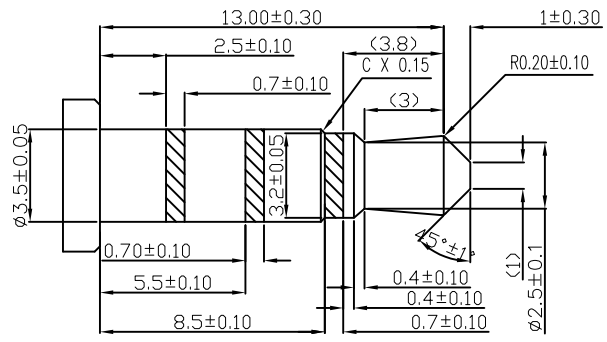
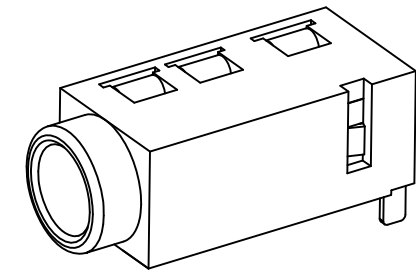
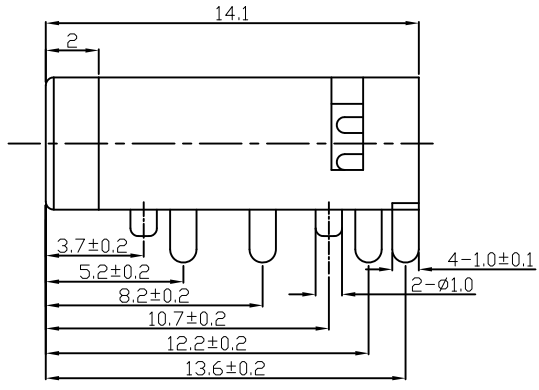
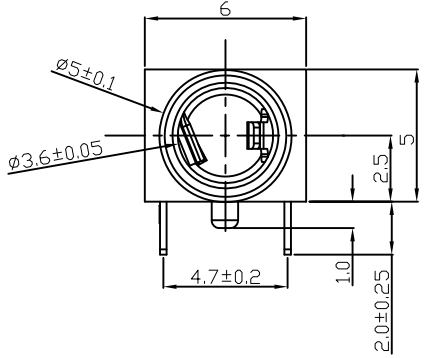


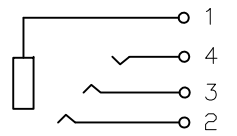
REV.	NOTES	DATE
A	RELEASED	2017/06/19



PCB LAYOUT TOP VIEW



PLUG SPEC



CIRCUIT DIAGRAM

DIMENSIONS TOLERANCE METRIC

X	±0.5
X.X	±0.30
X.XX	±0.20
ANGLES	
X	±1°
X.X	±0.5°

④	HOUSING	1	PA-9T (BLACK)	
③	TERMINAL 3#	1	PHOSPHOR BRONZE t=0.25	Ag-Plated
②	TERMINAL 2#	2	PHOSPHOR BRONZE t=0.25	Ag-Plated
①	TERMINAL 1#	1	PHOSPHOR BRONZE t=0.25	Ag-Plated
No.	PART NAME	QTY	MATERIAL (THICK, COLOR)	REMARK

單位(UNITS)	mm	東莞翊豐精密五金有限公司			
數量(QT'Y)	N/A				
材料(MT'L)	SEE NOTE				
處理(FINISH)	SEE NOTE				
繪圖(DRAW)		圖名(NAME) ø3.5mm AUDIO JACK 90度DIP 三環四段			
設計(DE'N)		料號(PART NUMBER)		AAJP+JK04P-30056S	
審核(CH'K)		圖號(DRAW NUMBER)			
核准(APP'D)		圖檔(FILE NAME .DWG)			
比例(SCALE)	1/1	圖紙(SIZE)	A4	頁次(SHEET)	1
				版次(REV.)	A