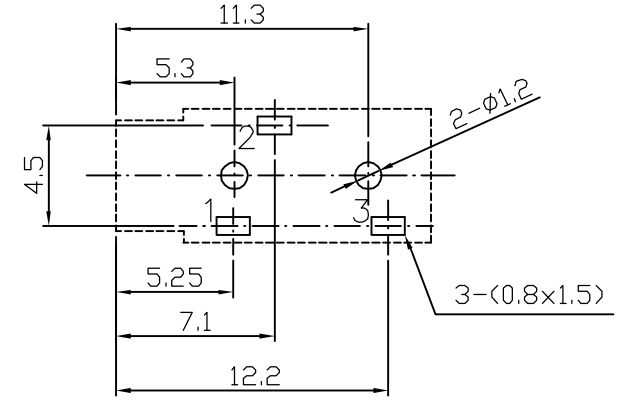
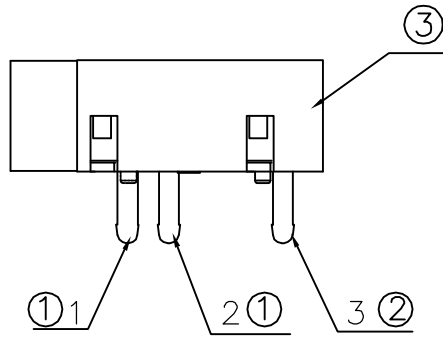
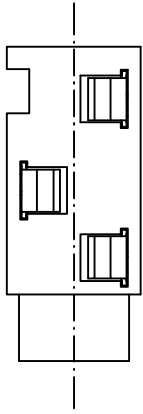
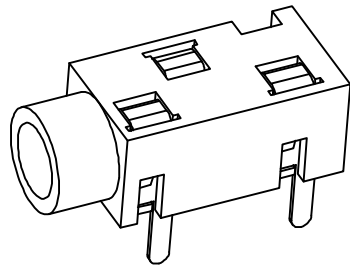
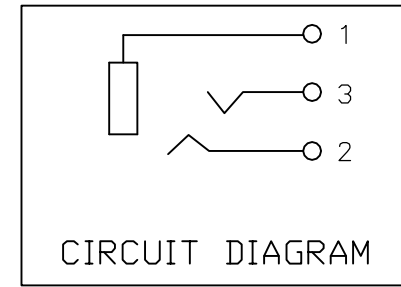
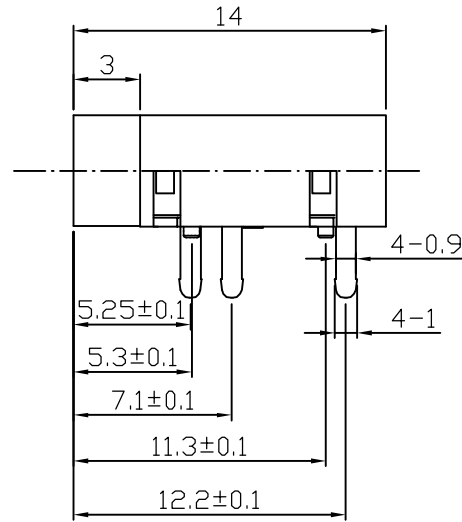
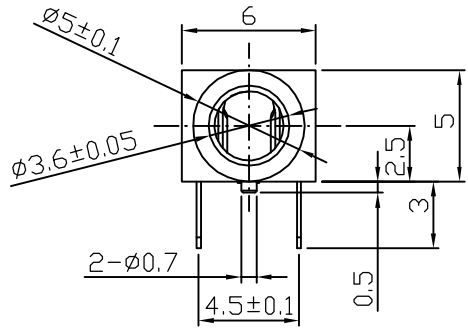


REV.	NOTES	DATE
A	RELEASED	2017/06/13



PCB LAYOUT TOP VIEW



③	HOUSING PJ-3004-3	1	PA (Black)	
②	TERMINAL PJ-3004-3-2#	1	PHOSPHOR BRONZE t=0.20	Ag-Plated
①	TERMINAL PJ-3004-3-1#	2	PHOSPHOR BRONZE t=0.20	Ag-Plated
No.	PART NAME	QTY	MATERIAL (THICK, COLOR)	REMARK

單位(UNITS)	mm	東莞翊豐精密五金有限公司			
數量(QTY)	N/A				
材料(MTL)	SEE NOTE				
處理(FINISH)	SEE NOTE				
繪圖(DRAW)		圖名(NAME) Ø3.5 EAR PHONE JACK			
設計(DE'N)		料號(PART NUMBER)	AAPJ-3004-2Z2S		
審核(CH'K)		圖號(DRAW NUMBER)			
核准(APP'D)		圖檔(FILE NAME .DWG)			
		比例(SCALE)	1/1	圖紙(SIZE)	A4
		頁次(SHEET)	1	版次(REV.)	A

DIMENSIONS TOLERANCE METRIC

X :±0.5
X.X :±0.30
X.XX :±0.20

ANGLES
X :±1°
X.X :±0.5°