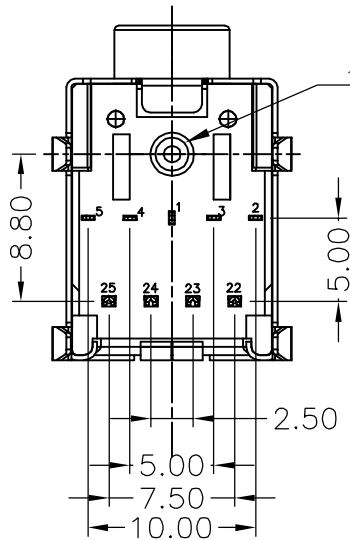


RECOMMENDED PCB LAYOUT  
COMPONENT SIDE TOLERANCE:±0.05

SPECIFICATION  
 1.CURRENT RATING : 1.0 AMP. MAX.  
 2.DIELECTRIC WITHSTANDING VOLTAGE : 500V AC R.M.S. FOR ONE MINUTE.  
 3.INSULATION RESISTANCE : 100M OHMS MIN. AT 500V DC.  
 4.CONTACT RESISTANCE : 50m OHMS MAX.  
 5.OPERATING TEMPERATURE : -25°C TO +85°C.  
 6.DURABILITY : 5000 CYCLES.  
 7.MATING FORCE : 5.0kg MAX  
 8.UNMATING FORCE :0.4~3.0kg  
 9.MAX PROCESSING TEMPERATURE : 230°C FOR 30~60 SECONDS. (HI.-TEMP. PLASTIC)

定位柱

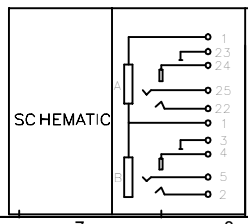


13	Plastic Bushing	PA66+15%G.F, UL94V-0		1
12	Housing	PBT+30%G.F, UL94V-0	Black	1
11	Cover	LCP+30%G.F, UL94V-0	Black	1
10	Shield	SPCC	Bright Tin Plated Cover Nickel Plated	1
9	2-Tip Terminal	Copper Alloy	Gold Plating & Tin Plated & Nickel Plated	1
8	2-TS Terminal	Copper Alloy	Gold Plating & Tin Plated & Nickel Plated	1
7	2-RS Terminal	Copper Alloy	Gold Plating & Tin Plated & Nickel Plated	1
6	2-Ring Terminal	Copper Alloy	Gold Plating & Tin Plated & Nickel Plated	1
5	Tip Terminal	Copper Alloy	Gold Plating & Tin Plated & Nickel Plated	1
4	TS Terminal	Copper Alloy	Gold Plating & Tin Plated & Nickel Plated	1
3	RS Terminal	Copper Alloy	Gold Plating & Tin Plated & Nickel Plated	1
2	Ring Terminal	Copper Alloy	Gold Plating & Tin Plated & Nickel Plated	1
1	Sleeve Terminal	Copper Alloy	Gold Plating & Tin Plated & Nickel Plated	1
ITEM	NAME	MATERIAL	FINISH	SUM

PART NO.	A	B
AAPJ+2471-5F	GREEN	PINK
AAPJ+2471-KK	灰白色(GRAY 2C)	灰白色(GRAY 2C)
AAPJ+2471-6B	BLUE	GREEN

單位(UNITS)	mm
數量(QT'Y)	N/A
材料(MT'L)	SEE NOTE
處理(FINISH)	SEE NOTE

東莞翊豐精密五金有限公司



DIMENSIONS TOLERANCE METRIC  
 X :±0.5  
 X.X :±0.30  
 X.XX :±0.20  
 ANGLES  
 X :±1°  
 X.X :±0.5°

繪圖(DRAW)	
設計(DE'N)	
審校(CH'K)	
核准(APP'D)	

圖名(NAME) 雙層Ø3.50 PHONE JACK 有塑膠定位柱	
料號(PART NUMBER)	AAPJ+2471-XX
圖號(DRAW NUMBER)	
圖檔(FILE NAME .DWG)	
比例(SCALE)	1/1
圖紙(SIZE)	A4
頁次(SHEET)	1
版次(REV.)	A