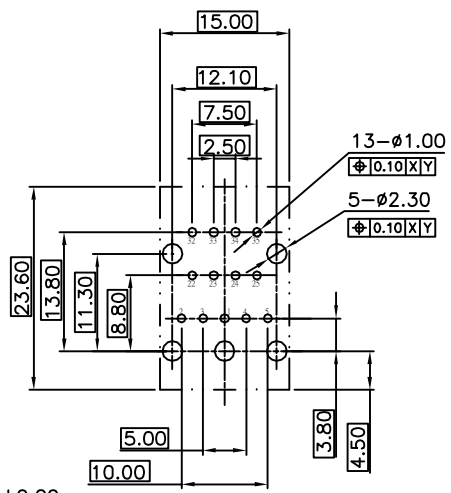
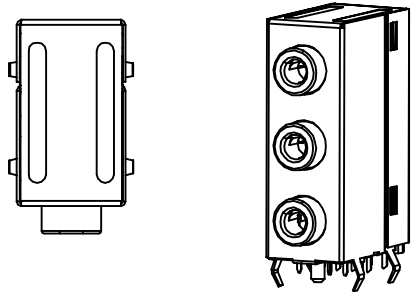
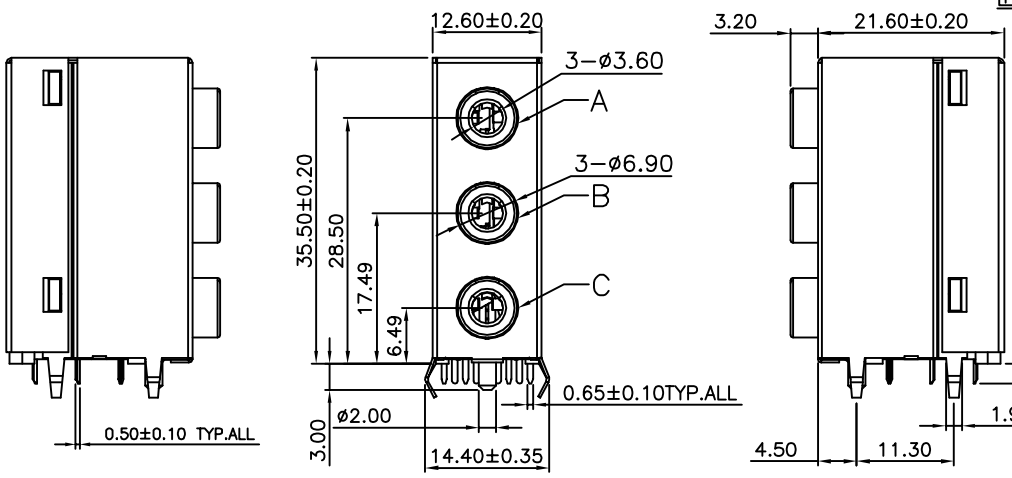


REV.	NOTES	DATE
A	RELEASED	2017/07/08

PART NO	A COLOR	B COLOR	C COLOR
AAPJ+34770-06BF	BLUE	GREEN	PINK
AAPJ+34770-F6BF	PINK	BLUE	GREEN

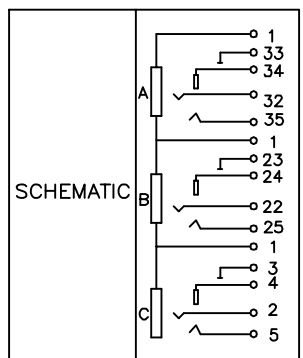
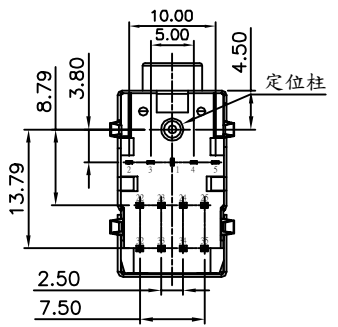
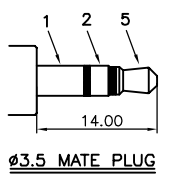


**SPECIFICATION**  
 1.CURRENT RATING : 1.0 AMP. MAX.  
 2.DIELECTRIC WITHSTANDING VOLTAGE : 500V AC R.M.S. FOR ONE MINUTE.  
 3.INSULATION RESISTANCE : 100M OHMS MIN. AT 500V DC.  
 4.CONTACT RESISTANCE : 50m OHMS MAX.  
 5.OPERATING TEMPERATURE : -25°C TO +85°C.  
 6.DURABILITY : 5000 CYCLES.  
 7.MATING FORCE : 5kgs MAX  
 8.UNMATING FORCE : 0.4~3.0kgs  
 9.MAX PROCESSING TEMPERATURE : 230°C FOR 30~60 SECONDS. (HI-TEMP. PLASTIC)



RECOMMENDED PCB LAYOUT  
 COMPONENT SIDE  
 TOLERANCE:±0.05

ITEM	NAME	MATERIAL	FINISH	SUM	
19	A-Plastic Bushing	PA66+15%G.F, UL94V-0	Pantone	1	
18	B-Plastic Bushing	PA66+15%G.F, UL94V-0	Pantone	1	
17	C-Plastic Bushing	PA66+15%G.F, UL94V-0	Pantone	1	
16	Housing	PBT+30%G.F, UL94V-0	Black	1	
15	Cover	PBT+30%G.F, UL94V-0 PA66+30%G.F, UL94V-0	Black	1	
14	Shield	SUS430 SPCC-SD	Matte Tin Plated on Kink Over Nickel Bright Tin Plated Cover Nickel Plated	1	
13	3-Tip Terminal	C2680R-EH	Tin Plated & Nickel Plated	1	
12	3-TS Terminal	C2680R-EH	Gold Plating & Tin Plated & Nickel Plated	1	
11	3-RS Terminal	C2680R-EH	Gold Plating & Tin Plated & Nickel Plated	1	
10	3-Ring Terminal	C2680R-EH	Tin Plated & Nickel Plated	1	
9	2-Tip Terminal	C2680R-EH	Tin Plated & Nickel Plated	1	
8	2-TS Terminal	C2680R-EH	Tin Plated & Nickel Plated	1	
7	2-RS Terminal	C2680R-EH	Tin Plated & Nickel Plated	1	
6	2-Ring Terminal	C2680R-EH	Tin Plated & Nickel Plated	1	
5	Tip Terminal	C2680R-EH	Tin Plated & Nickel Plated	1	
4	TS Terminal	C2680R-EH	Tin Plated & Nickel Plated	1	
3	RS Terminal	C2680R-EH	Tin Plated & Nickel Plated	1	
2	Ring Terminal	C2680R-EH	Tin Plated & Nickel Plated	1	
1	Sleeve Terminal	C2680R-EH	Gold Plating & Tin Plated & Nickel Plated	1	
ITEM		NAME	MATERIAL	FINISH	SUM



DIMENSIONS TOLERANCE  
**METRIC**  
 .0=±0.38  
 .00=±0.30  
 .000=±0.20  
 ANG.=±2°

單位(UNITS)	mm
數量(QT'Y)	N/A
材料(MT'L)	SEE NOTE
處理(FINISH)	SEE NOTE

東莞翊豐精密五金有限公司

圖名(NAME)  
 三層JACK插孔3.5mm鐵殼SPCC鍍鎳RoHS

料號(PART NUMBER) AAPJ+34770-X6BF

圖號(DRAW NUMBER)

圖檔(FILE NAME .DWG)

比例 (SCALE)	1/1	圖紙 (SIZE)	A4	頁次 (SHEET)	1	版次 (REV.)	A
------------	-----	-----------	----	------------	---	-----------	---