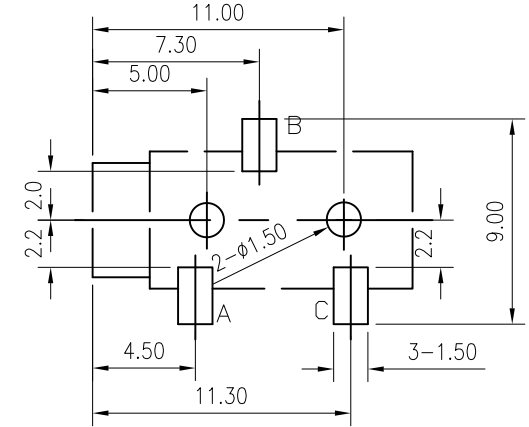
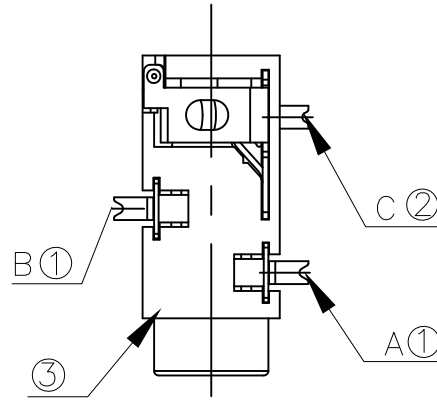
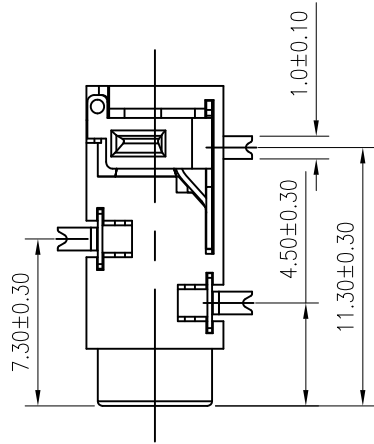


REV.	NOTES	DATE
A	RELEASED	2017/09/25



PCB LAYOUT TOP VIEW

NOTE:

1.Material

- 1.1 TERMINAL 1#:C5191 t=0.20
- 1.2 TERMINAL 2#3#:C5191 t=0.25
- 1.5 Housing:PA9T+30%G/F, Black

2.Plating

- 2.1 Terminal 1#&2#&3#:1u"MIN.Ag In Contact  
Over 50u" MIN. Ni.

SPECIFICATIONS:

1. ELECTRICAL CHARACTERISTICS:

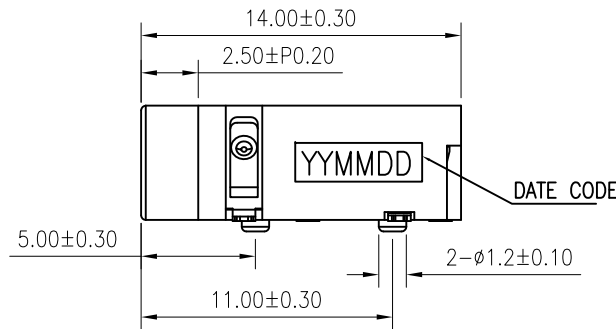
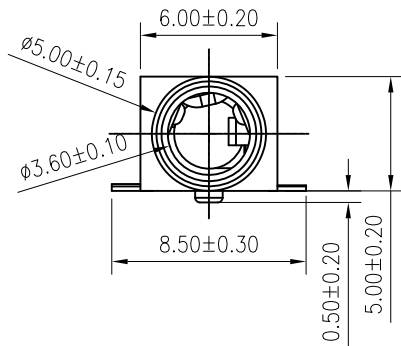
- 1-1. RATING:
- 1-2. CONTACT RESISTANCE: 30mΩ MAX.(INITIAL)
- 1-3. DIELECTRIC WITHSTANDING VOLTAGE: 500V AC FOR ONE MINUTE
- 1-4. INSULATION RESISTANCE: 100MΩ MIN. MEASURED BY 500V DC

2. MECHANICAL CHARACTERISTICS:

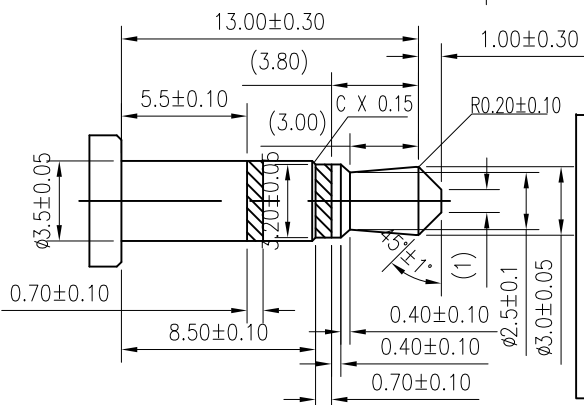
- 2-1. INSERTION FORCE : 0.3~3.0 KGF
- 2-2. WITHDRAWAL FORCE : 0.3~3.0 KGF

3. LIFE TEST: 5,000 CYCLES MIN.

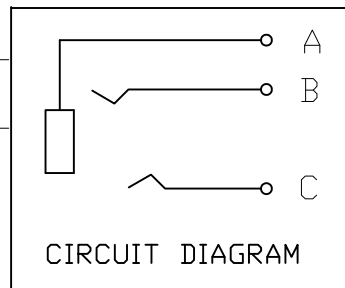
4. FOR REFLOW SOLDERING LEAD-FREE PROCESS.



YYMMDD  
 DD : DAY 日  
 MM : MONTH 月  
 YY : YEAR 年



PLUG SPEC



CIRCUIT DIAGRAM

DIMENSIONS TOLERANCE METRIC

- X :±0.5
- X.X :±0.30
- X.XX :±0.20
- ANGLES
- X :±1°
- X.X :±0.5°

NO.	DESCRIPTION	QTY	MATERIAL	PLATING & COLOR
③	HOUSING	1	PA-9T	Black
②	TERMINAL	1	C5191 t=0.25	Ag-Plated
①	TERMINAL	2	C5191 t=0.20	Ag-Plated

單位(UNITS)		mm	
數量(QT'Y)		N/A	
材料(MT'L)		SEE NOTE	
處理(FINISH)		SEE NOTE	
東莞翊豐精密五金有限公司			
圖名(NAME) Φ3.5 PHONE JACK SMT 有定位柱			
繪圖(DRAW)		料號(PART NUMBER) AAPJ+JK03P-3539	
設計(DE'N)		圖號(DRAW NUMBER)	
審核(CH'K)		圖檔(FILE NAME .DWG)	
核准(APP'D)		比例(SCALE) 1/1	圖紙(SIZE) A4
		頁次(SHEET) 1	版次(REV.) A