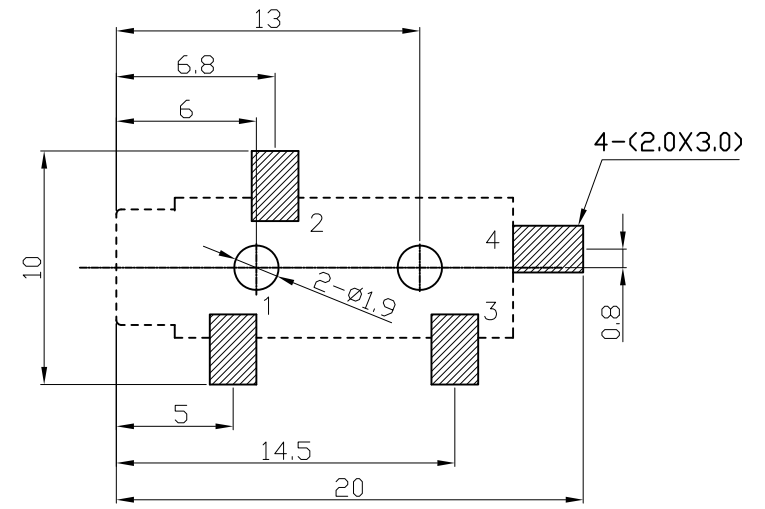
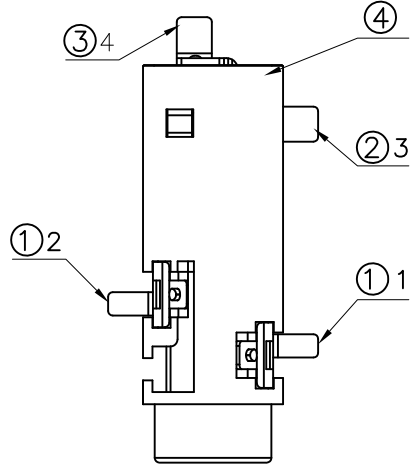
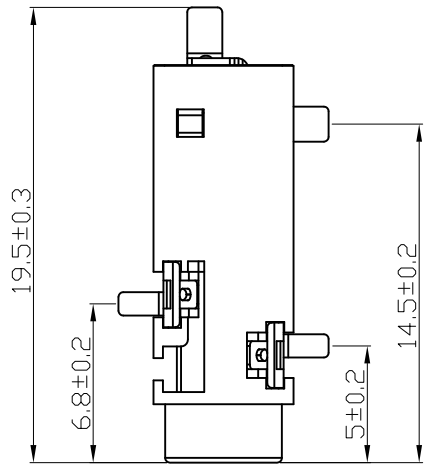
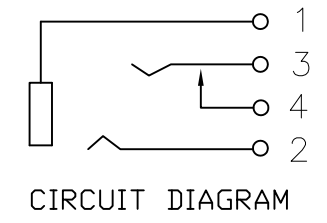
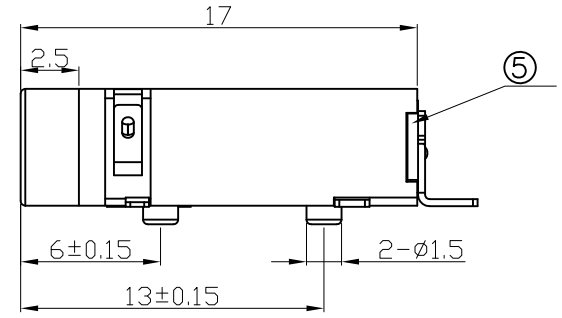
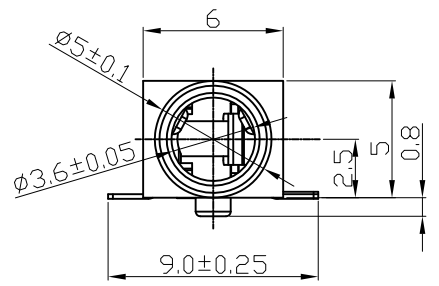


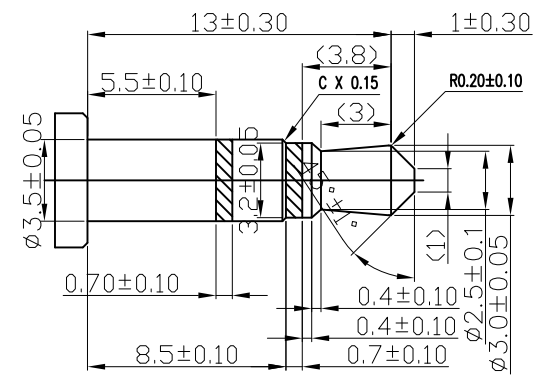
| | | |
|------|----------|------------|
| REV. | NOTES | DATE |
| A | RELEASED | 2017/06/19 |



PCB LAYOUT TOP VIEW

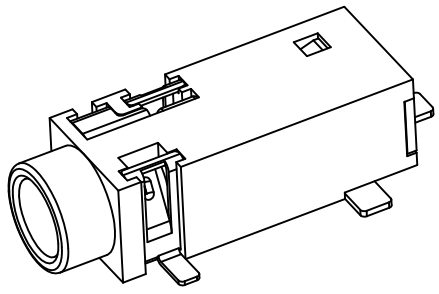


CIRCUIT DIAGRAM



Ø3.50mm 3 POLE PLUG DETAIL DRAWING

| No. | PART NAME | QTY | MATERIAL (THICK, COLOR) | REMARK |
|-----|-----------|-----|-------------------------|-----------|
| ⑤ | COVER | 1 | PA9T (Black) | |
| ④ | HOUSING | 1 | PA9T (Black) | |
| ③ | TERMINAL | 1 | BRASS t=0.30 | Ag-Plated |
| ② | TERMINAL | 1 | PHOSPHOR BRONZE t=0.30 | Ag-Plated |
| ① | TERMINAL | 2 | PHOSPHOR BRONZE t=0.20 | Ag-Plated |



| | |
|-----------------------------|-------|
| DIMENSIONS TOLERANCE METRIC | |
| X | ±0.5 |
| X.X | ±0.30 |
| X.XX | ±0.20 |
| ANGLES | |
| X | ±1° |
| X.X | ±0.5° |

| | | | | | |
|------------|----------|---|-----------------|----------|----|
| 單位(UNITS) | mm | 東莞翊豐精密五金有限公司 | | | |
| 數量(QT'Y) | N/A | | | | |
| 材料(MT'L) | SEE NOTE | | | | |
| 處理(FINISH) | SEE NOTE | | | | |
| 繪圖(DRAW) | | 圖名(NAME) Φ3.5 PHONE JACK SMT 有定位柱 4PIN | | | |
| 設計(DE'N) | | 料號(PART NUMBER) | AAPJ+JK04P-3513 | | |
| 審核(CH'K) | | 圖號(DRAW NUMBER) | | | |
| 核准(APP'D) | | 圖檔(FILE NAME .DWG) | | | |
| | | 比例(SCALE) | 1/1 | 圖紙(SIZE) | A4 |
| | | 頁次(SHEET) | 1 | 版次(REV.) | A |