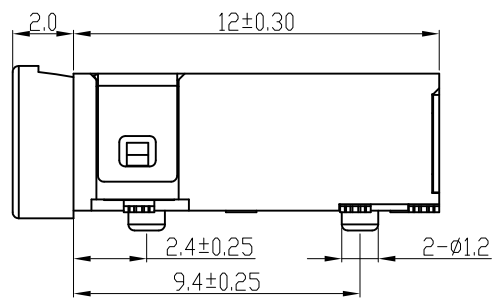
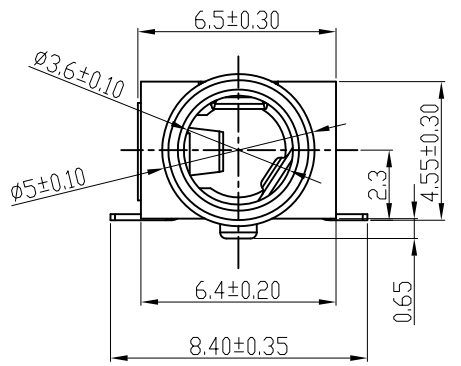
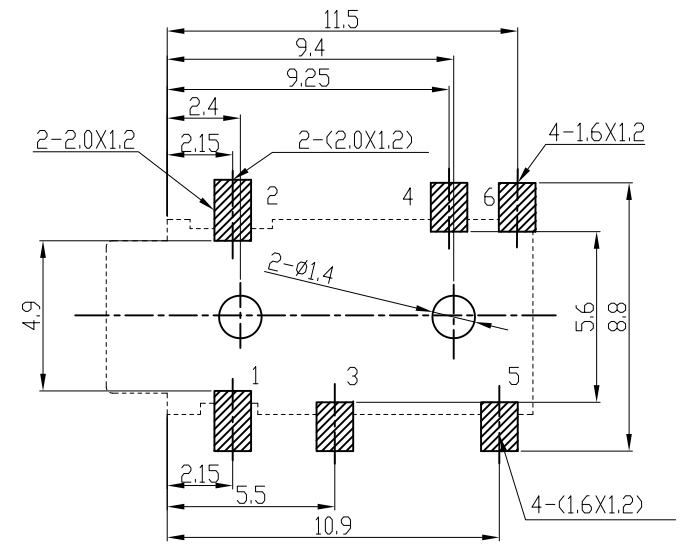
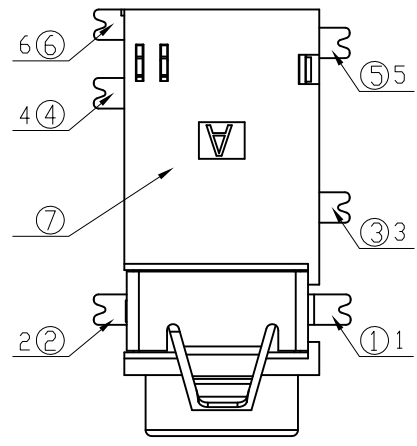
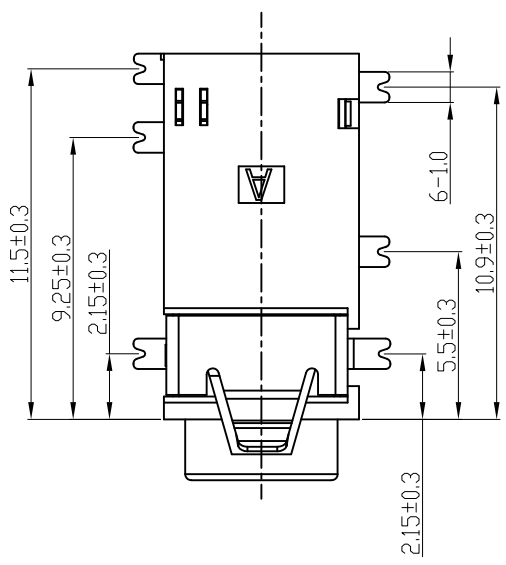
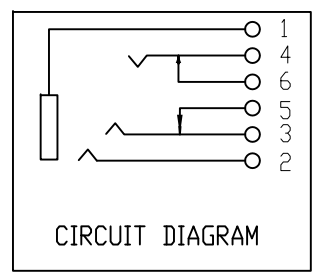
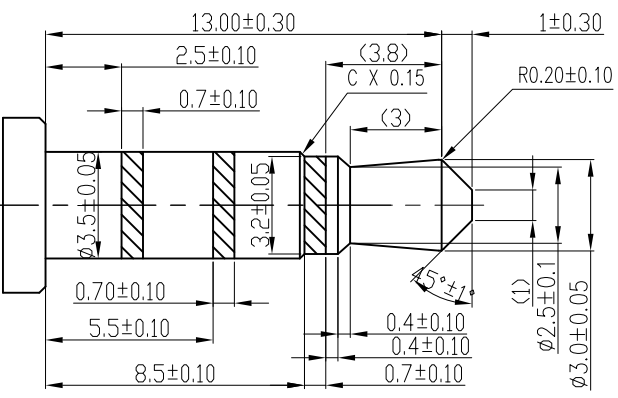


REV.	NOTES	DATE
A	PCB LAYOUT RELEASED VIEW	2017/09/07



SPECIFICATIONS:

- ELECTRICAL CHARACTERISTICS:**
 - 1-1. RATING:
 - 1-2. CONTACT RESISTANCE: 30mΩ MAX.(INITIAL)
 - 1-3. DIELECTRIC WITHSTANDING VOLTAGE: 500V AC FOR ONE MINUTE
 - 1-4. INSULATION RESISTANCE: 100MΩ MIN. MEASURED BY 500V DC
- MECHANICAL CHARACTERISTICS:**
 - 2-1. INSERTION FORCE : 0.3~3.0 KGF
 - 2-2. WITHDRAWAL FORCE : 0.3~3.0 KGF
- LIFE TEST: 5,000 CYCLES MIN.**
- FOR REFLOW SOLDERING LEAD-FREE PROCESS.**



DIMENSIONS TOLERANCE METRIC

X	±0.5
X.X	±0.30
X.XX	±0.20
ANGLES	
X	±1'
X.X	±0.5'

⑦	HOUSING	1	PA-9T (Black)	
⑥	TERMINAL	1	PHOSPHOR BRONZE t=0.20	Ag-Plated
⑤	TERMINAL	1	PHOSPHOR BRONZE t=0.20	Ag-Plated
④	TERMINAL	1	PHOSPHOR BRONZE t=0.20	Ag-Plated
③	TERMINAL	1	PHOSPHOR BRONZE t=0.20	Ag-Plated
②	TERMINAL	1	BRASS t=0.20	Ag-Plated
①	TERMINAL	1	PHOSPHOR BRONZE t=0.20	Ag-Plated
No.	PART NAME	QTY	MATERIAL (THICK, COLOR)	REMARK

單位(UNITS)	mm	東莞翊豐精密五金有限公司			
數量(QT'Y)	N/A				
材料(MT'L)	SEE NOTE				
處理(FINISH)	SEE NOTE				
繪圖(DRAW)		圖名(NAME) Φ3.5 PHONE JACK SMT 有定位柱			
設計(DE'N)		料號(PART NUMBER)	AAPJ+JK06P-3537		
審核(CH'K)		圖號(DRAW NUMBER)			
核准(APP'D)		圖檔(FILE NAME .DWG)			
		比例(SCALE)	1/1	圖紙(SIZE)	A4
		頁次(SHEET)	1	版次(REV.)	A