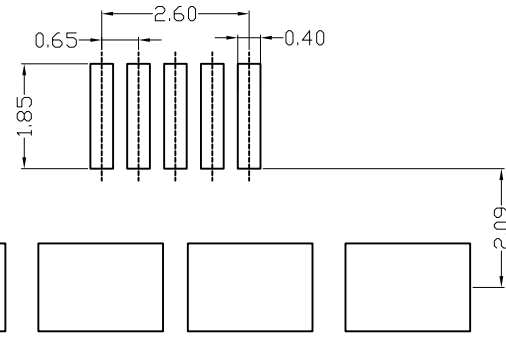
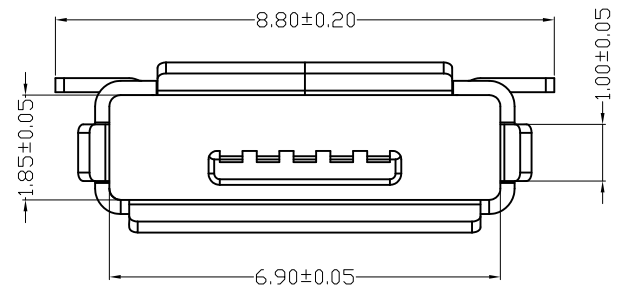
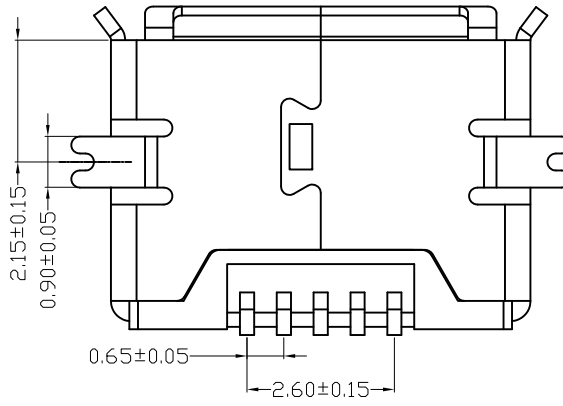
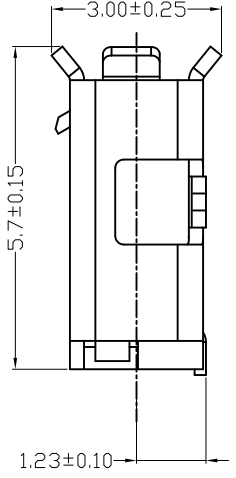
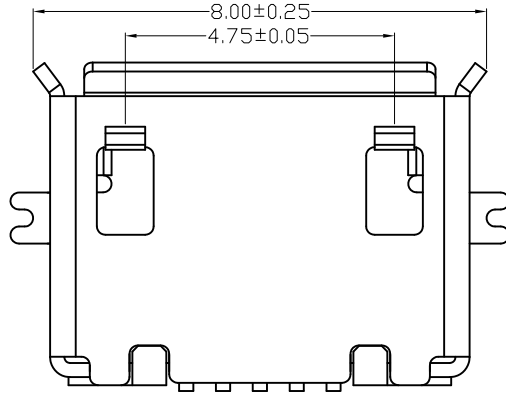


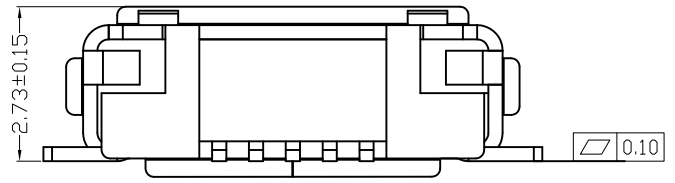
REV.	NOTES	DATE
A	RELEASED	2017/09/12



PCB LAYOUT



- Note:
- Material:
    - Housing: LCP UL94v-0 BLACK
    - Contact: C2680, t=0.20mm G/F SELECTIVE GOLD PLATED ON THE CONTACT AREA;
    - Shell: SUS, t=0.30mm 30u"MIN TIN PLATED
  - Specification:
    - Current rating: 1 A Max.
    - Dielectric withstanding voltage: 100 V(ac) for 1 min.
    - Contact resistance: 30 mΩ Max.
    - Insulation resistance: 100 MW Min.
    - Total mating force: 3.57 Kg Max.
    - Total unmating force: 1.0 Kg Min. 0.81~2.05 Kg Min. after 3000 insertion/extraction cycles
    - Temperature range: -30° C~80° C



單位(UNITS)	mm
數量(QT'Y)	N/A
材料(MT'L)	SEE NOTE
處理(FINISH)	SEE NOTE

東莞翊豐精密五金有限公司

DIMENSIONS TOLERANCE METRIC

X : ±0.5  
 X.X : ±0.30  
 X.XX : ±0.20

ANGLES  
 X : ±1°  
 X.X : ±0.5°

圖名(NAME)		MICRO 5P/F AB TYPE SMT (无柱)			
繪圖(DRAW)		料號(PART NUMBER)	AAUS+MC05P-0203		
設計(DE'N)		圖號(DRAW NUMBER)			
審核(CH'K)		圖檔(FILE NAME .DWG)			
核准(APP'D)		比例(SCALE)	1:1	圖紙(SIZE)	A4
		頁次(SHEET)	1/1	版次(REV.)	A