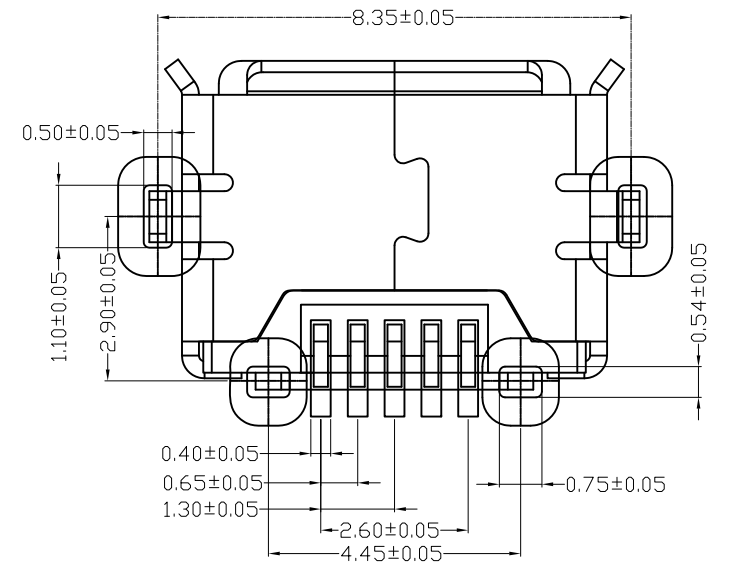
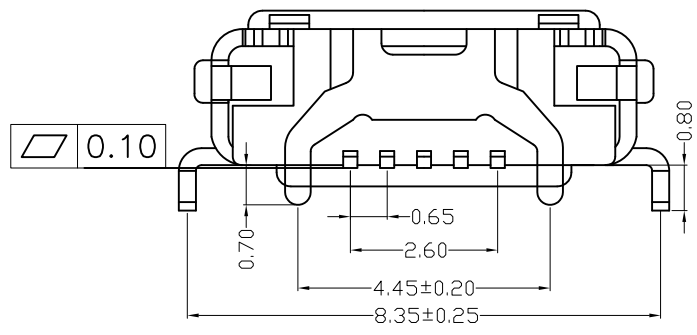
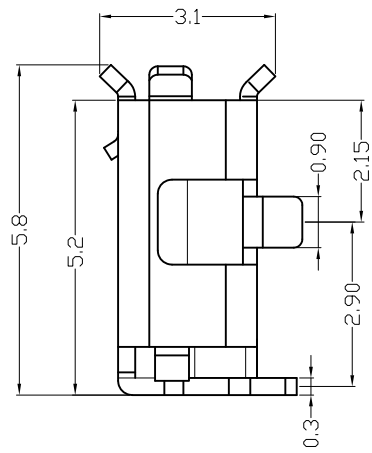
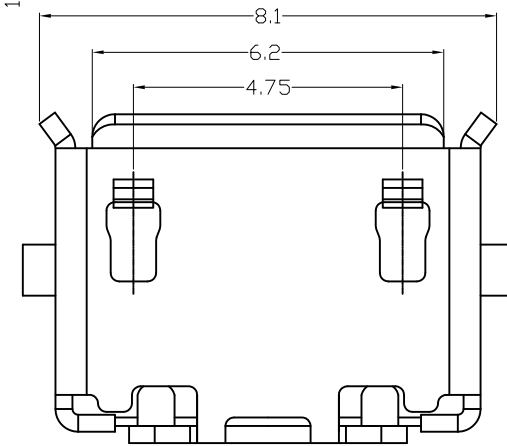
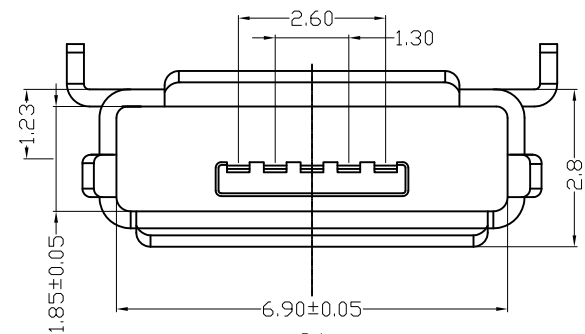


REV.	NOTES	DATE
A	RELEASED	2017/09/12



RECOMMENDED PCB LAYOUT

Note:

1. Material:
 - 1.1 Housing: LCP UL94v-0 BLACK
 - 1.2 Contact: C2680, t=0.20mm G/F SELECTIVE GOLD PLATED ON THE CONTACT AREA;
 - 1.3 Shell: SUS, t=0.30mm 30u~MIN TIN PLATED
2. Specification:
 - 2.1 Current rating: 1 A Max.
 - 2.2 Dielectric withstanding voltage: 100 V(ac) for 1 min.
 - 2.3 Contact resistance: 30 mΩ Max.
 - 2.4 Insulation resistance: 100 MW Min.
 - 2.5 Total mating force: 3.57 Kgf Max.
 - 2.6 Total unmating force: 1.0 Kgf Min. 0.81~2.05 Kgf Min. after 3000 insertion/extraction cycles
 - 2.7 Temperature range: -30° C~80° C

DIMENSIONS TOLERANCE METRIC

X : ±0.5
 X.X : ±0.30
 X.XX : ±0.20

ANGLES

X : ±1°
 X.X : ±0.5°

單位(UNITS)	mm	東莞翊豐精密五金有限公司			
數量(QT'Y)	N/A				
材料(MT'L)	SEE NOTE				
處理(FINISH)	SEE NOTE				
繪圖(DRAW)		圖名(NAME) MICRO 5P/F AB 牛角內0.8(8.35*4.45)无柱			
設計(DE'N)		料號(PART NUMBER)	AAUS+MC05P-08445		
審核(CH'K)		圖號(DRAW NUMBER)			
核准(APP'D)		圖檔(FILE NAME .DWG)			
		比例(SCALE)	1:1	圖紙(SIZE)	A4
		頁次(SHEET)	1/1	版次(REV.)	A