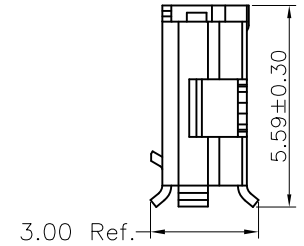
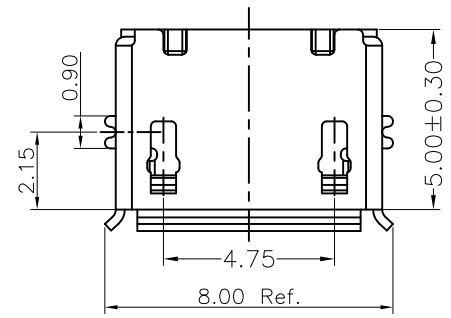
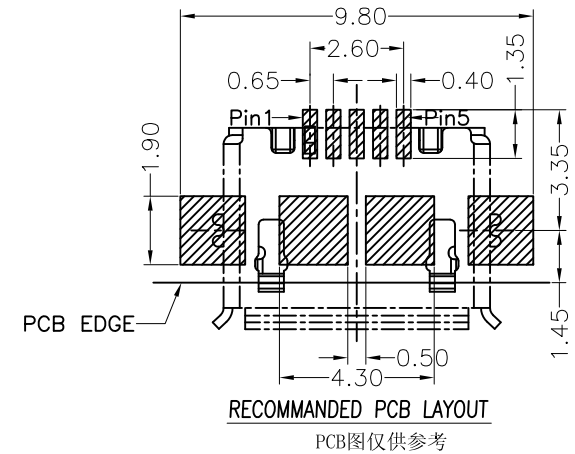
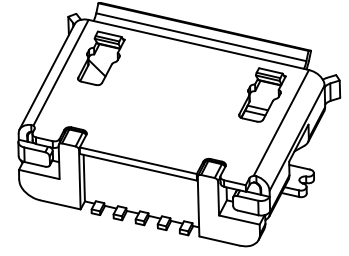
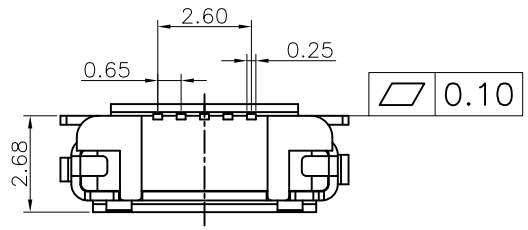
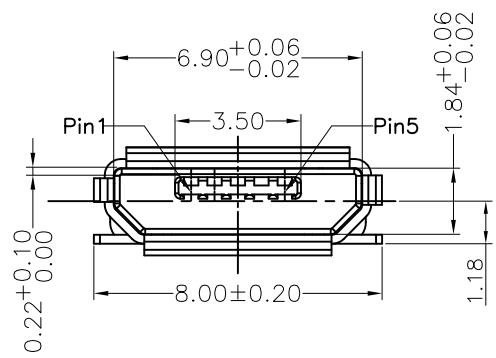


| | | |
|-----|-------|------------|
| REV | NOTES | DATE |
| A | 初版發行 | 2017/07/13 |



- Note:
- Material:
 - Housing: LCP UL94v-0 BLACK
 - Contact: copper alloy, t=0.15mm
Gold Flash In Contact Area
 - Shell: stainless t=0.25mm
Nickel plated over all.
 - Specification:
 - Current rating: 1,5PIN 1.8A Max
2,3,4PIN 1A Max.
 - Dielectric withstanding
voltage: 100 V(ac) for 1 min.
 - Contact resistance: 30 mΩ Max.
 - Insulation resistance: 100 MΩ Min.
 - Total mating force: 3.57 Kgf Max.
 - Total unmating force: 1.0 Kgf Min
 - Temperature range: -30°C~80°C



DIMENSIONS TOLERANCE METRIC
.0= ± 30
.00= ± .25
.000= ± .02
.0000= ± .01
ANG. = ± 1°

| | | | | | | | | | |
|------------|----------|------------------------------------|----------------|----------|----|-----------|-----|----------|---|
| 單位(UNITS) | mm | 東莞翊豐精密五金有限公司 | | | | | | | |
| 數量(QTY) | N/A | | | | | | | | |
| 材料(MTL) | SEE NOTE | | | | | | | | |
| 處理(FINISH) | SEE NOTE | | | | | | | | |
| 繪圖(DRAW) | | 圖名(NAME) MICRO 5P BF 全貼有邊無柱 8.0 | | | | | | | |
| 設計(DE'N) | | 料號(PART NUMBER) | AAUS+U444-025X | | | | | | |
| 審校(CH'K) | | 圖號(DRAW NUMBER) | | | | | | | |
| 核准(APP'D) | | 圖檔(FILE NAME .DWG) | | | | | | | |
| | | 比例(SCALE) | 1/1 | 圖紙(SIZE) | A4 | 頁次(SHEET) | 1/2 | 版次(REV.) | A |