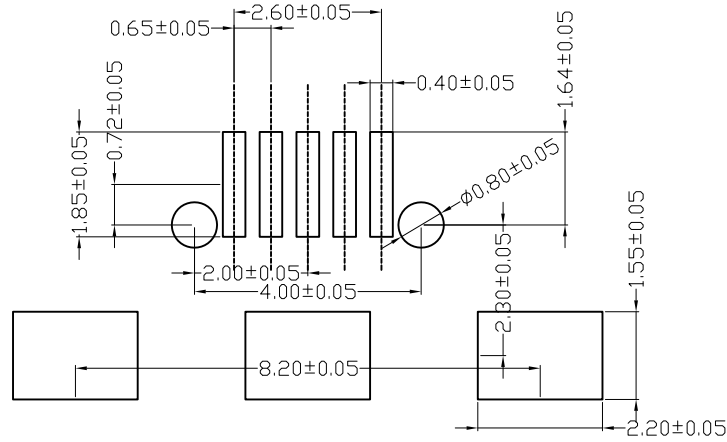
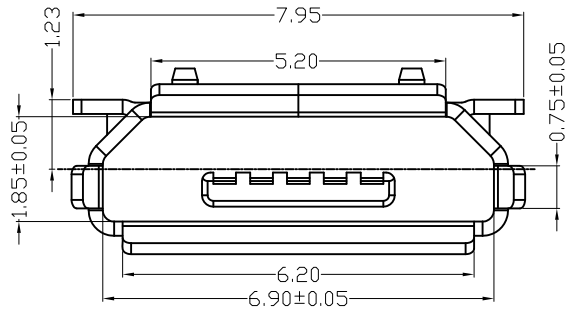
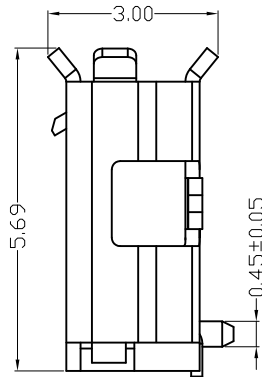
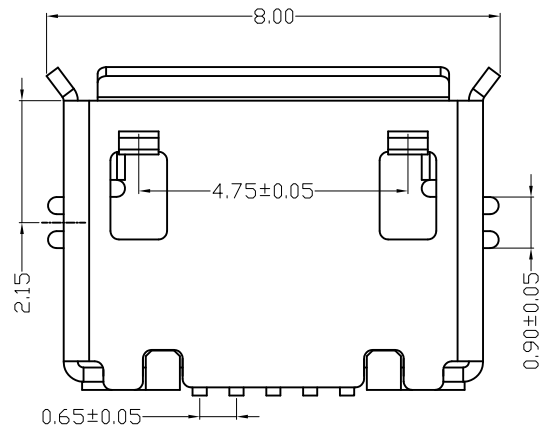


REV.	NOTES	DATE
A	RELEASED	2017/08/16



PCB LAYOUT



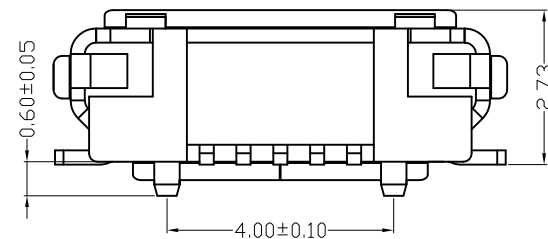
Note:

1.Material:

- 1.1 Housing: LCP UL94v-0 BLACK
- 1.2 Contact: copper alloy,t=0.20mm
1μ"Gold Flash In Contact Area
- 1.3 Shell: copper alloy t=0.25mm
50μ"Nickel plated over all.

2.Specification:

- 2.1 Current rating:1,5PIN 1.8A Max
2,3,4PIN 1A Max.
- 2.2 Dielectric withstanding
voltage: 100 V(ac) for 1 min.
- 2.3 Contact resistance: 30 mΩ Max.
- 2.4 Insulation resistance: 100 MΩ Min.
- 2.5 Total mating force: 3.57 Kgf Max.
- 2.6 Total unmating force: 1.0 Kgf Min
- 2.7 Temperature range: -30°C~80°C



單位(UNITS)	mm
數量(QT'Y)	N/A
材料(M'T'L)	SEE NOTE
處理(FINISH)	SEE NOTE

東莞翊豐精密五金有限公司

圖名(NAME)

MICRO 5P/F B TYPE前插后貼7.95中心柱4.0

料號(PART NUMBER)

AAUS+US05P-0217

圖號(DRAW NUMBER)

圖檔(FILE NAME .DWG)

DIMENSIONS TOLERANCE METRIC	
X	:±0.5
X.X	:±0.30
X.XX	:±0.20
ANGLES	
X	:±1°
X.X	:±0.5°

繪圖(DRAW)	
設計(DE'N)	
審校(CH'K)	
核准(APP'D)	

比例(SCALE)	1/1	圖紙(SIZE)	A4	頁次(SHEET)	1	版次(REV.)	A
-----------	-----	----------	----	-----------	---	----------	---