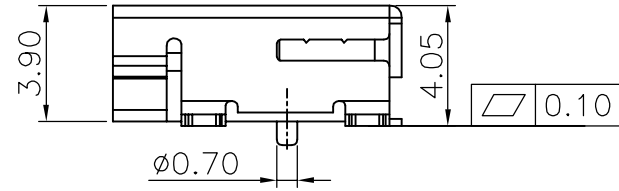
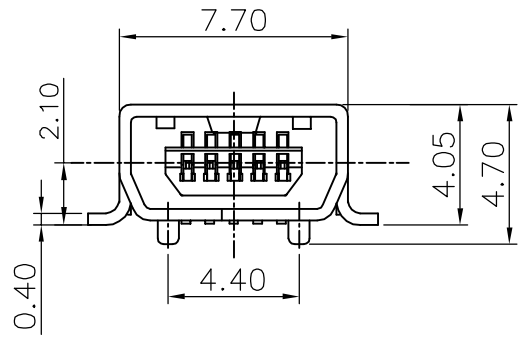
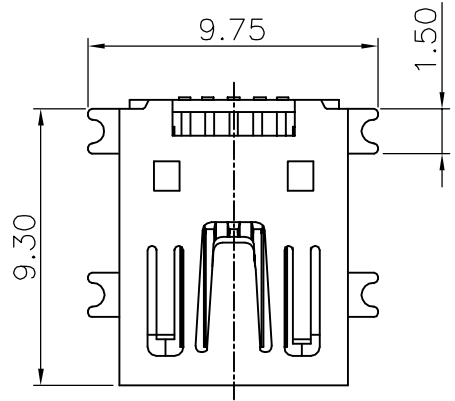
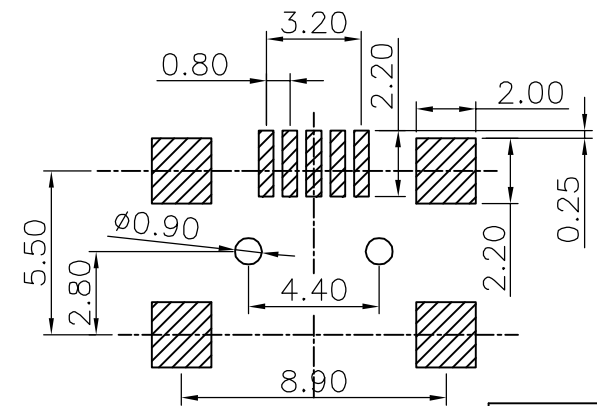
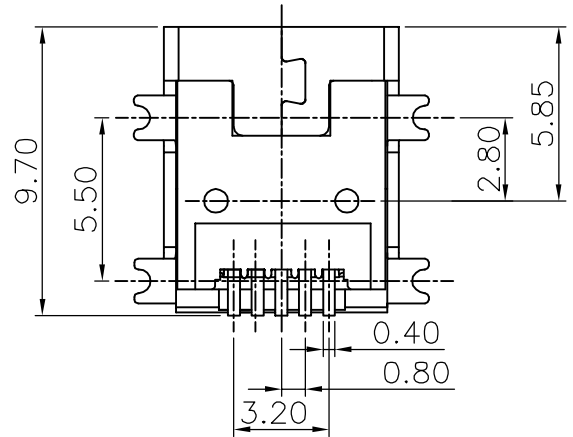


REV.	NOTES	DATE
A	RELEASED	2017/07/27



NOTES:

- 1.MATERIAL:
 - 1.1 Housing: thermoplastic plastics,
 - 1.2 terminals:Copper Alloy
Gold plated in contact area:
Tin 40u"min plated in termination
Nickel Plated overall
 - 1.3 Shell:STEEL
Nickel/Tin Plated overall
- 2.ELECTRICAL CHARACTERISTICS:
 - 2.1 Rating Current :1.5 Ampere
 - 2.2 Rating Voltage :30 V Max
 - 2.3 Contact Resistance:50 Milli ohms
 - 2.4 Insulation Resistance:100 Mega ohms Min.
- 3.MECHANICAL CHARACTERISTICS:
 - 3.1 Connector Mating force: 35N MAX
 - 3.2 Connector Unmating force:7N min
- 4.ENVIRONMENT CHARACTERISTICS:
 - 4.1 Operating temperature:-0°C to +50°C
 - 4.2 Storage temperature:-20°C to +60°C



PCB LAYOUT

DIMENSIONS TOLERANCE METRIC

X :±0.5
X.X :±0.30
X.XX :±0.20

ANGLES
X :±1°
X.X :±0.5°

單位(UNITS)	mm	東莞翊豐精密五金有限公司							
數量(QT'Y)	N/A								
材料(MT'L)	SEE NOTE								
處理(FINISH)	SEE NOTE								
繪圖(DRAW)		圖名(NAME) MINI 5P/F AB型双卡点SMT							
設計(DE'N)		料號(PART NUMBER)		AAUS+US05P-0727					
審校(CH'K)		圖號(DRAW NUMBER)							
核准(APP'D)		圖檔(FILE NAME .DWG)							
		比例(SCALE)	1/1	圖紙(SIZE)	A4	頁次(SHEET)	1	版次(REV.)	A