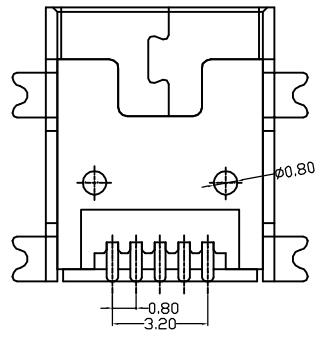
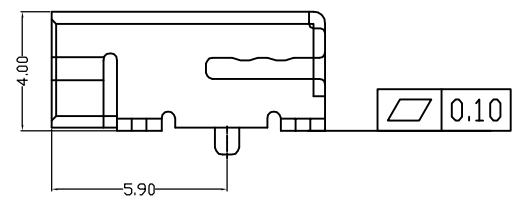
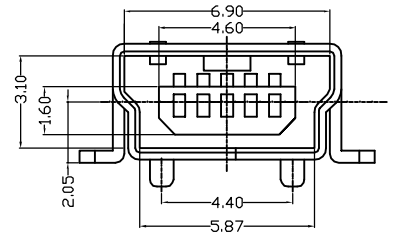
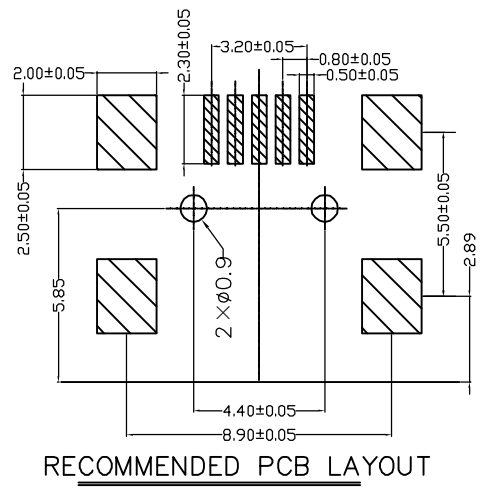
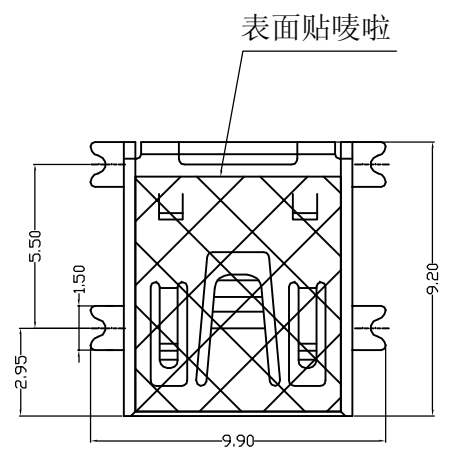


REV.	NOTES	DATE
A	RELEASED	2017/08/08



NOTES:

1. MATERIAL:

- 1.1 Housing: LCP UL94V-0 Black,
- 1.2 terminals: Copper Alloy C2680
1u"Gold plated in contact area:
30u"Tin plated in termination
30u"Nickel Plated overall
- 1.3 Shell: Copper Alloy
30u"Nickel Plated overall

2. ELECTRICAL CHARACTERISTICS:

- 2.1 Rating Current :1 Ampere
- 2.2 Rating Voltage :30 V DC
- 2.3 Contact Resistance:30 Milli ohms MAX
- 2.4 Dielectric Withstanding Voitage:
500 V AC AT Sea Level
- 2.5 Insulation Resistance: 1000MEGA ohms MIN.

3. MECHANICAL CHARACTERISTICS:

- 3.1 Connector Mating force: 35N MAX
- 3.2 Connector Unmating force:6N min

4. ENVIRONMENT CHARACTERISTICS:

- 4.1 Storage temperature:-55°C to +105°C

單位(UNITS)	mm
數量(QTY)	N/A
材料(MTL)	SEE NOTE
處理(FINISH)	SEE NOTE

東莞翊豐精密五金有限公司

圖名(NAME)

料號(PART NUMBER) AAUS+US05P-0808

圖號(DRAW NUMBER)

圖檔(FILE NAME .DWG)

比例(SCALE)	1:1	圖紙(SIZE)	A4	頁次(SHEET)	1/2	版次(REV.)	A
-----------	-----	----------	----	-----------	-----	----------	---

DIMENSIONS TOLERANCE METRIC	
X	:±0.5
X.X	:±0.30
X.XX	:±0.20
ANGLES	
X	:±1°
X.X	:±0.5°