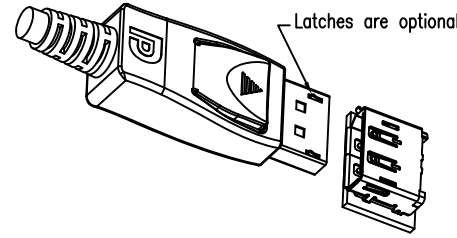
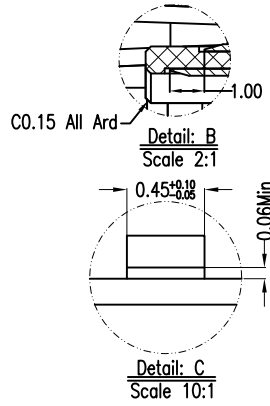
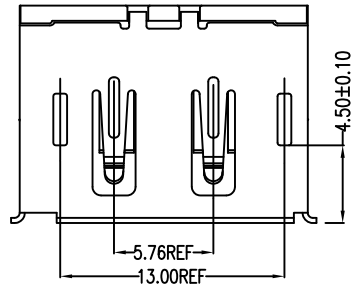


REV.	NOTES	DATE
A	RELEASED	2017/07/07



NOTES:

***Material**
 Body: LCP, UL 94V-0 Rated; Color: Black.
 Shield: Brass.
 Plating: Ni(40u" Min.) Plating.
 Contact: Brass.
 Plating: Au plating on contact area;
 Sn(100u" Min.) plating on solder tail;
 Ni(40u" Min.) underplating overall.

***Electrical Specification**

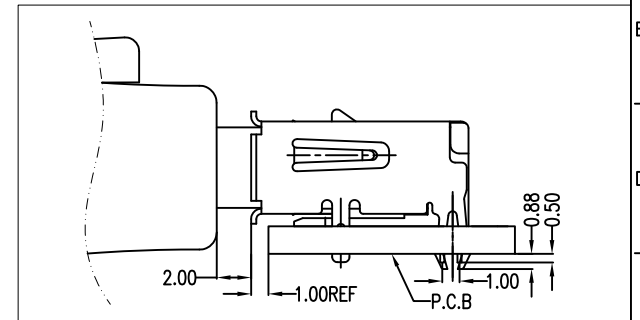
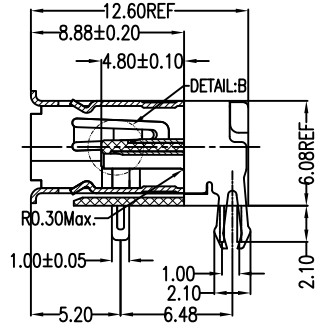
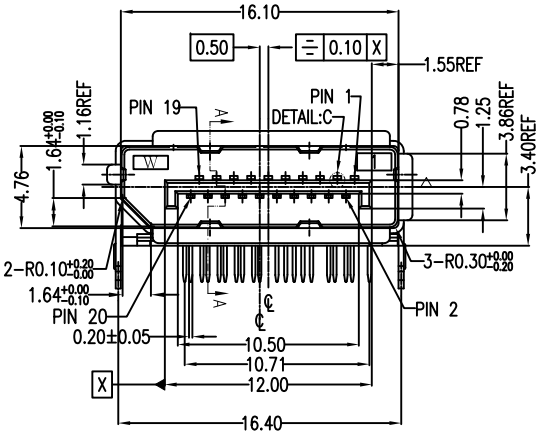
Operation Voltage: 40 VAC max.
 Current Rating: 0.5 Ampere per contact
 Contact Resistance: 30 Milliohms max.
 Insulation Resistance: 100 Megohms min.
 Dielectric Withstanding Voltage: 500 VAC

***Environmental**

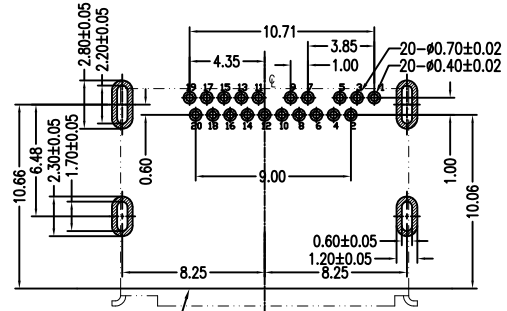
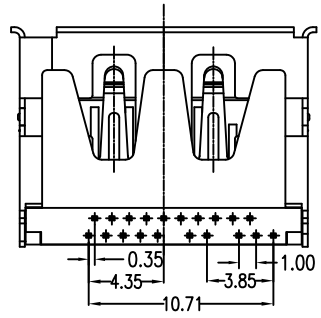
Operating Temperature: -40°C to +85°C

***How To Order**

Pin No.	Signal Type	Pin No.	Signal Type
1	In	11	GND
2	GND	12	In
3	In	13	CONFIG(see note 1)
4	In	14	CONFIG(see note 1)
5	GND	15	I/O
6	In	16	GND
7	In	17	I/O
8	GND	18	Out
9	In	19	RTN
10	In	20	Power Out(see note 2)



Fully mated condition



P.C.B Edge P.C.B Layout
 T=1.60±0.15mm(TOP View)

DIMENSIONS TOLERANCE METRIC

X :±0.5
 X.X :±0.30
 X.XX :±0.20

ANGLES

X :±1'
 X.X :±0.5'

單位(UNITS)	mm
數量(QT'Y)	N/A
材料(MT'L)	SEE NOTE
處理(FINISH)	SEE NOTE

繪圖(DRAW)	
設計(DE'N)	
審核(CH'K)	
核准(APP'D)	

東莞翊豐精密五金有限公司

圖名(NAME)
 DISPLAY PORT 母20P DIP式(中心高3.4)

料號(PART NUMBER) AADP+DP20M-0707

圖號(DRAW NUMBER)

圖檔(FILE NAME .DWG)

比例(SCALE)	1/1	圖紙(SIZE)	A4	頁次(SHEET)	1	版次(REV.)	A
-----------	-----	----------	----	-----------	---	----------	---