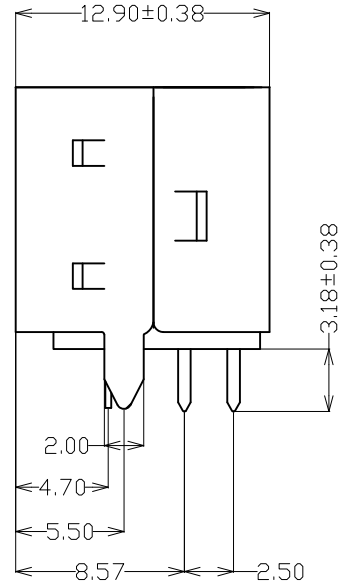
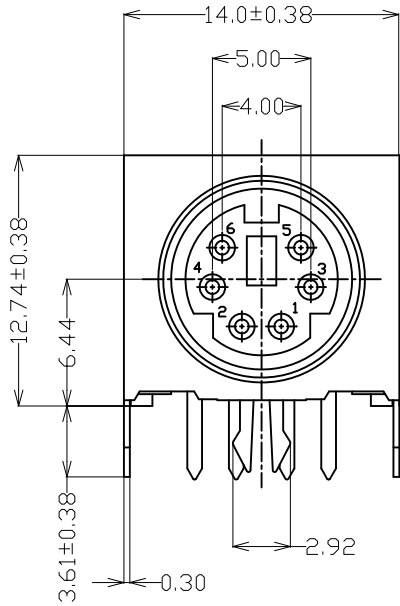


REV	NOTES	DATE
A	RELEASED	2017/07/31

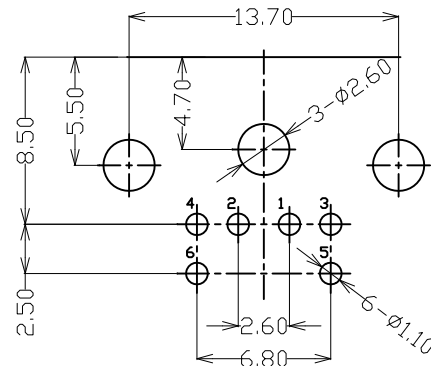
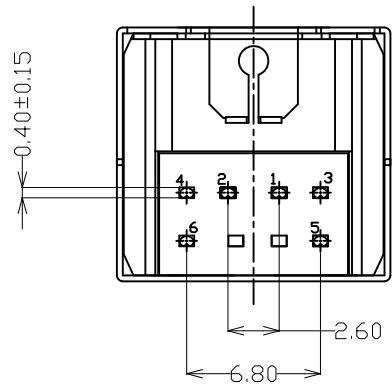


PART NO:	PLATING	INSULATOR COLOR	INSULATOR
AAMD+1602-Z70B	MUST BE SOLDER NICKEL	PURPLE	PBT
AAMD+1602-570B	MUST BE SOLDER NICKEL	GREEN	PBT
AAMD+1602-070B	MUST BE SOLDER NICKEL	BLACK	PBT

MATERIAL:
 INSULATOR: PBT, UL 94V-0,
 rear cover: PBT, BLACK
 SHELL: ALLOY COPPER, NICKEL PLATING OVERALL,
 CONTACT: ALLOY COPPER, GOLD/TIN PLATED

ENVIRONMENTAL:
 OPERATING TEMPERATURE: -25°C~+85°C

ELECTRICAL:
 CONTACT CURRENT RATING: 1.5 Amp
 DIELECTRIC WITHSTANDING: AC 500V/min.
 INSULATION RESISTANCE: 500MΩmin.
 CONTACT RESISTANCE: 30mΩ Max



BOTTOM VIEW(TOLERANCE±0.05)
P.C.B. LAYOUT

DIMENSIONS TOLERANCE
 METRIC
 .0= ±.38
 .00= ±.25
 .000= ±.15
 .0000= ±.1
 ANG.= ± 2°

單位(UNITS)	mm
數量(QTY)	N/A
材料(MTL)	SEE NOTE
處理(FINISH)	SEE NOTE

東莞翊豐精密五金有限公司

圖名(NAME)
 迷你單層6P母半金錫 無嘜 不加彈 PBT RoHS

料號(PART NUMBER) AAMD+1602-X70B

圖號(DRAW NUMBER)

圖檔(FILE NAME .DWG)

繪圖(DRAW)
 設計(DE'N)
 審校(CH'K)
 核准(APP'D)

比例(SCALE)	1/1	圖紙(SIZE)	A4	頁次(SHEET)	1	版次(REV.)	A
-----------	-----	----------	----	-----------	---	----------	---