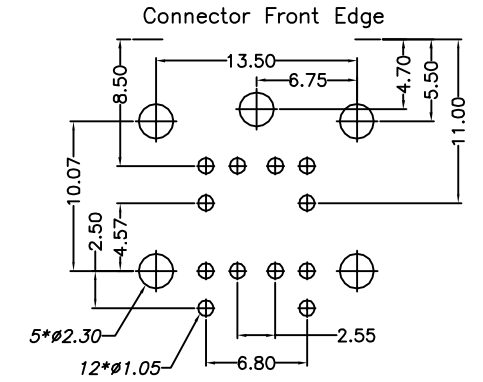
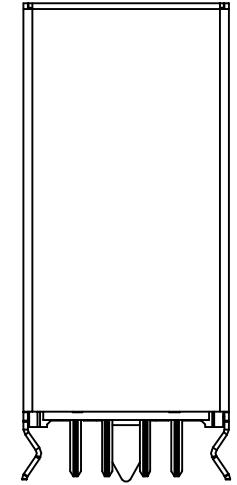
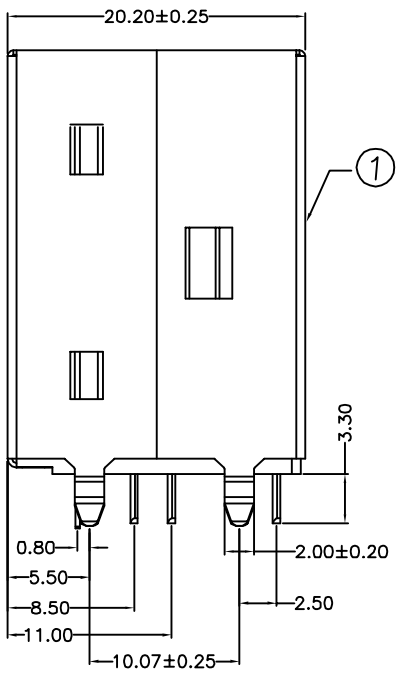
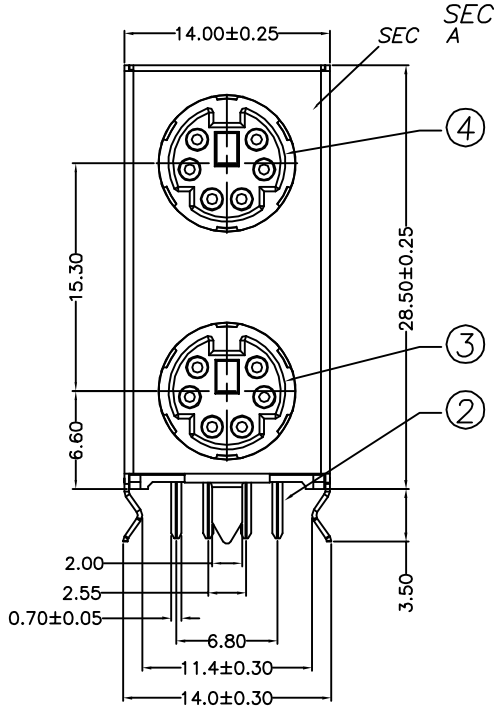
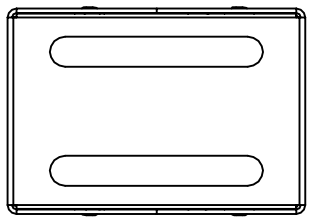
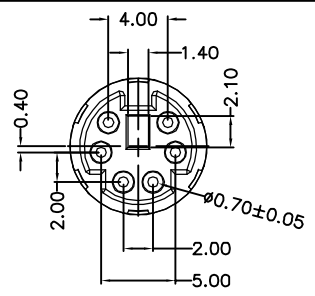
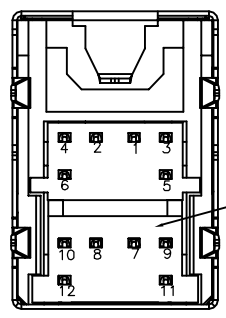


REV.	NOTES	DATE
A	RELEASED	2017/06/19



Printed Circuit Board (PCB) Layout



ENVIRONMENTAL
 OPERATING TEMPERATURE: -55°C~+105°C
 ELECTRICAL
 CONTACT CURRENT RATING: 1 Amp
 DIELECTRIC WITHSTANDING : AC 500V min.
 INSULATION RESISTANCE: 500M OHMS min.
 CONTACT RESISTANCE: 30m OHMS Max

DIMENSIONS TOLERANCE METRIC	
X	:±0.5
X.X	:±0.30
X.XX	:±0.20
ANGLES	
X	:±1°
X.X	:±0.5°

5	COVER	PBT+30%GF UL94V-0		BLACK
4	MID-UPWARD	PBT+30%GF UL94V-0		GREEN
3	MID-DOWN	PBT+30%GF UL94V-0		PURPLE
2	CONTACT	COPPE RALLOY T=0.20	Gold PLATING ON CONTACT AREA. Tin PLATING ON SOLDER TAIL AREA. NICKEL UNDERPLATING OVERALL.	
1	SHELL	SPCC-SD T=0.30	NICKEL PLATED	
	NAME	MATERIAL	PLATING	COLOR

單位(UNITS)	mm	東莞翊豐精密五金有限公司			
數量(QT'Y)	N/A				
材料(MT'L)	SEE NOTE				
處理(FINISH)	SEE NOTE				
繪圖(DRAW)		圖名(NAME) 迷你雙層6P母半金線+紫 鐵殼不加彈 鍍銀 無毒 RoHS			
設計(DE'N)		料號(PART NUMBER)	AAMD+2602-570B		
審核(CH'K)		圖號(DRAW NUMBER)			
核准(APP'D)		圖檔(FILE NAME .DWG)			
		比例(SCALE)	1/1	圖紙(SIZE)	A4
		頁次(SHEET)	1	版次(REV.)	A