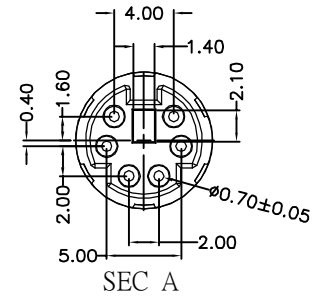
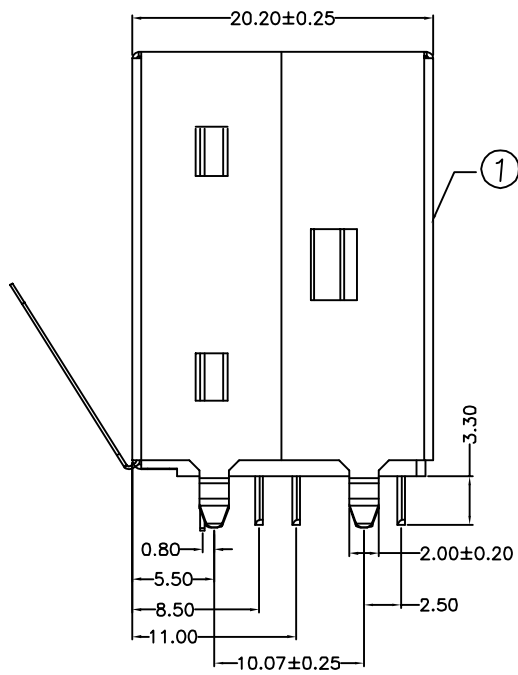
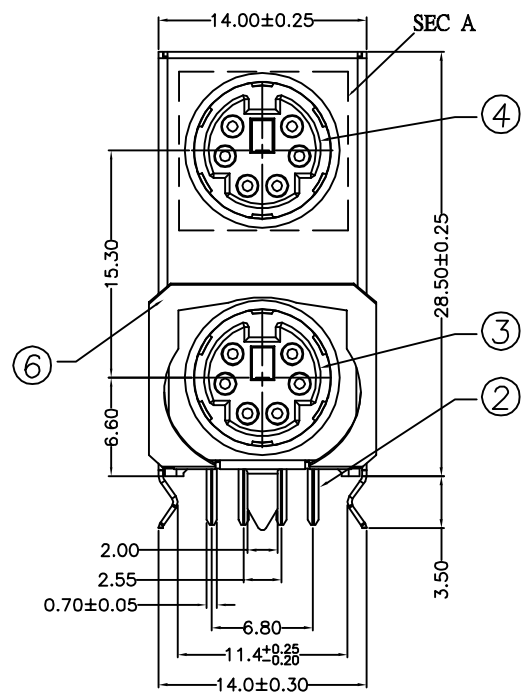
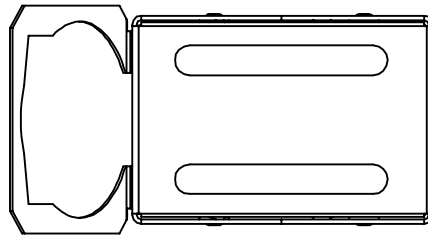
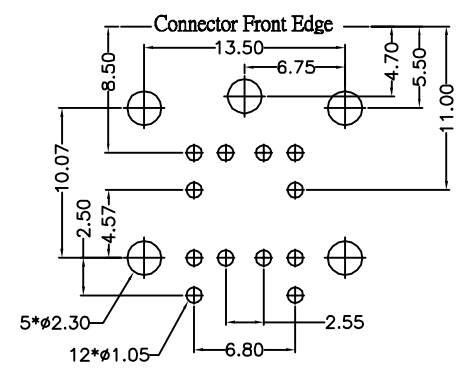
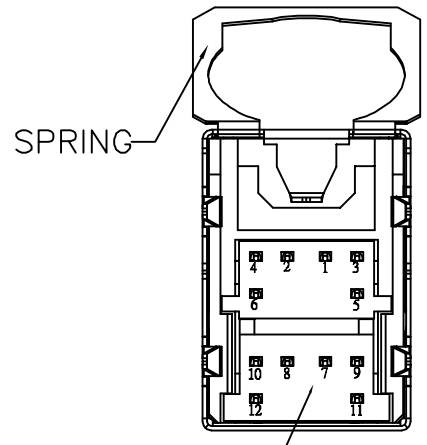


| | | |
|------|----------|------------|
| REV. | NOTES | DATE |
| A | RELEASED | 2017/06/19 |



ENVIRONMENTAL
 OPERATING TEMPERATURE: -55°C~+105°C
 ELECTRICAL
 CONTACT CURRENT RATING: 1 Amp
 DIELECTRIC WITHSTANDING : AC 1000V min. Per minute
 INSULATION RESISTANCE: 500M Ω min.
 CONTACT RESISTANCE: 30m Ω Max



Printed Circuit Board (PCB) Layout

DIMENSIONS TOLERANCE METRIC

X : ±0.5
 X.X : ±0.30
 X.XX : ±0.20

ANGLES

X : ±1°
 X.X : ±0.5°

| | | | | |
|---|------------|--------------------------------|---|--------|
| 6 | spring | SUS304-H T=0.20 | | |
| 5 | COVER | HIGH TEMPERATURE THERMOPLASTIC | | BLACK |
| 4 | MID-UPWARD | TEMPERATURE THERMOPLASTIC | | GREEN |
| 3 | MID-DOWN | TEMPERATURE THERMOPLASTIC | | PURPLE |
| 2 | CONTACT | COPPE RALLOY T=0.20 | Gold PLATING ON CONTACT AREA. Tin PLATING ON SOLDER TAIL AREA. NICKEL UNDERPLATING OVERALL. | |
| 1 | SHELL | SPCC-SD T=0.30 | NICKEL PLATED | |
| | NAME | MATERIAL | PLATING | COLOR |

| | |
|------------|----------|
| 單位(UNITS) | mm |
| 數量(QT'Y) | N/A |
| 材料(MT'L) | SEE NOTE |
| 處理(FINISH) | SEE NOTE |

東莞翊豐精密五金有限公司

圖名(NAME)
 迷你雙層6P母半金線+紫
 鐵殼加彈 鍍線 無字 RoHS

| | | | |
|-----------|--|--------------------|----------------|
| 繪圖(DRAW) | | 料號(PART NUMBER) | AAMD+2602-571B |
| 設計(DE'N) | | 圖號(DRAW NUMBER) | |
| 審核(CH'K) | | 圖檔(FILE NAME .DWG) | |
| 核准(APP'D) | | 比例(SCALE) | 1/1 |
| | | 圖紙(SIZE) | A4 |
| | | 頁次(SHEET) | 1 |
| | | 版次(REV.) | A |