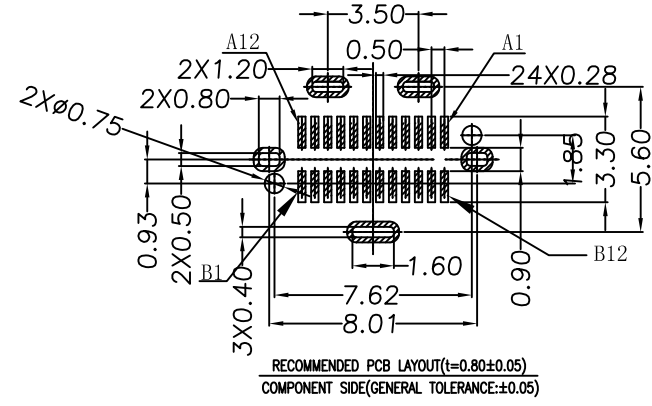
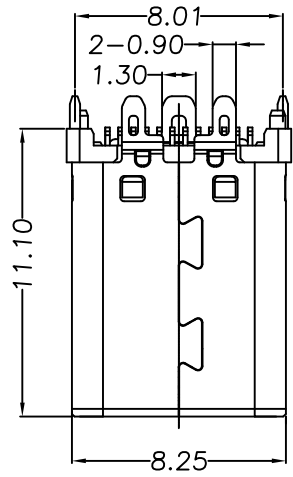


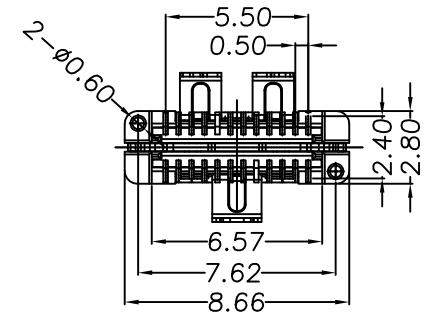
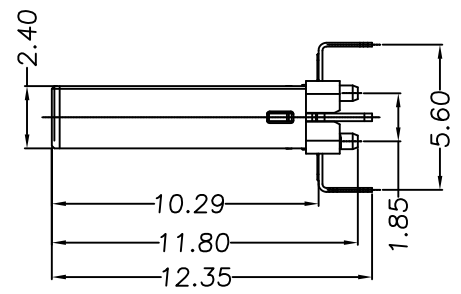
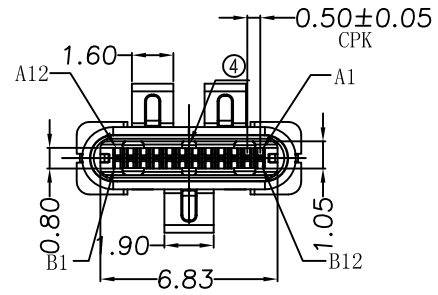
REV.	NOTES	DATE
A	RELEASED	2018/01/11



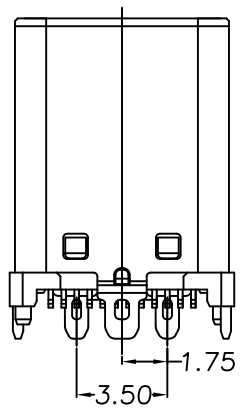
NOTES:

SPECIFICATION:

1. CURRENT RATING: 3.0A MAX
2. VOLTAGE: 20 VAC
3. TEMPERATURE RANGE: -30 °C ~ 85 °C
4. CONTACT RESISTANCE: 40 MILLIONHM MAX
5. INSULATION RESISTANCE: 100 MEGOHMS MIN.
6. INSERTION FORCE : 5N~20N
7. UNMATING FORCE: 8N~20N
8. DURABILITY: 10,000 CYCLES



A1	GND	B12	GND
A2	SSTXP1	B11	SSRXP1
A3	SSTXN1	B10	SSRXN1
A4	VBUS	B9	VBUS
A5	CC1	B8	SBU2
A6	DP1	B7	DN2
A7	DN1	B6	DP2
A8	SBU1	B5	CC2
A9	VBUS	B4	VBUS
A10	SSRXN2	B3	SSTXN2
A11	SSRXP2	B2	SSTXP2
A12	GND	B1	GND
PIN	SIGNAL NAME	PIN	SIGNAL NAME



DIMENSIONS TOLERANCE METRIC

X : ±0.5
X.X : ±0.30
X.XX : ±0.20

ANGLES
X : ±1°
X.X : ±0.5°

?? (UNITS)	mm
?? (QT'Y)	N/A
?? (MT'L)	SEE NOTE
?? (FINISH)	SEE NOTE
?? (DRAW)	
?? (DE'N)	
?? (CH'K)	
?? (APP'D)	

東莞翊豐精密五金有限公司

圖名(NAME)			
TYPE C公 直立式SMT L=10.3 3支脚 ROHS			
料號(PART NUMBER)		AAUS+TC24P-NLRZL	
圖號(DRAW NUMBER)			
圖檔(FILE NAME .DWG)			
比例 (SCALE)	1/1	圖紙 (SIZE)	A4
頁次 (SHEET)	1/2	版次 (REV.)	A