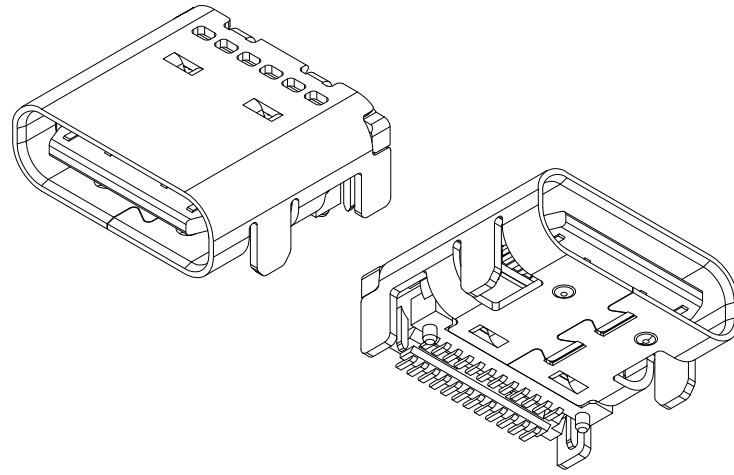
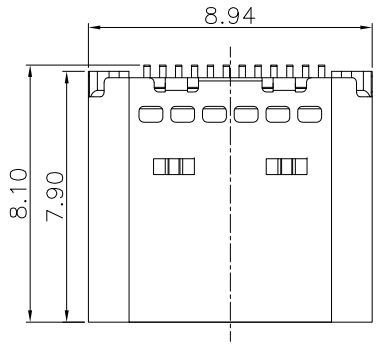
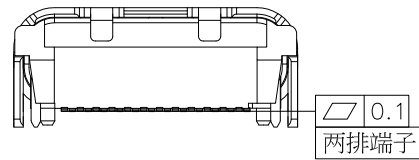
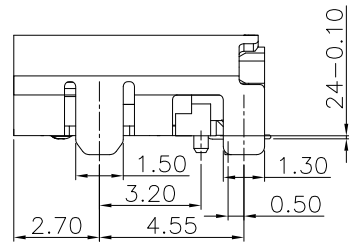
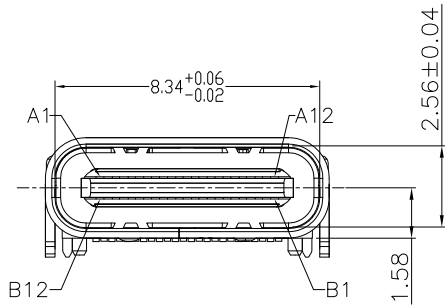


REV.	NOTES	DATE
A	RELEASED	2018/01/12



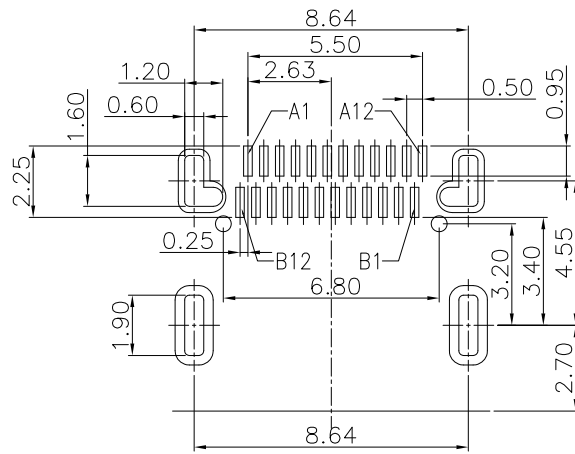
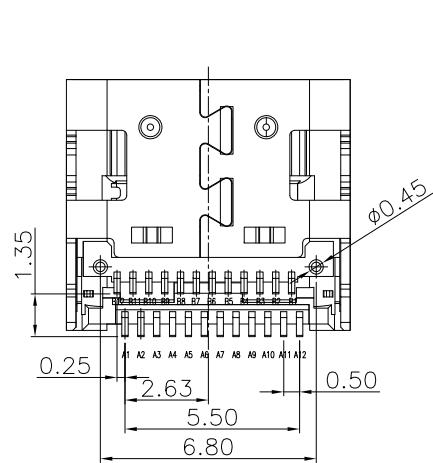
A1	GND	B12	GND
A2	SSTXP1	B11	SSRXP1
A3	SSTXN1	B10	SSRXN1
A4	VBUS	B9	VBUS
A5	CC1	B8	SBU2
A6	DP1	B7	DN2
A7	DN1	B6	DP2
A8	SBU1	B5	CC2
A9	VBUS	B4	VBUS
A10	SSRXN2	B3	SSTXN2
A11	SSRXP2	B2	SSTXP2
A12	GND	B1	GND
PIN	SIGNAL NAME	PIN	SIGNAL NAME



NOTES:

SPECIFICATION:

- CURRENT RATING: 3.0A MAX
- VOLTAGE: 100 VAC
- TEMPERATURE RANGE: -30 °C ~ 85 °C
- CONTACT RESISTANCE: 40 MILLIONHM MAX
- INSULATION RESISTANCE: 100 MEGOHMS MIN.
- INSERTION FORCE : 5N~20N
- UNMATING FORCE: 8N~20N
- DURABILITY: 10,000 CYCLES



RECOMMENDED P.C.B Dimension
Tolerances: ±0.05mm

DIMENSIONS TOLERANCE METRIC

X : ±0.5
X.X : ±0.30
X.XX : ±0.20
ANGLES
X : ±1°
X.X : ±0.5°

5	EMC PIECE	SUS304	N/A	2PCS
4	SHELL	SUS304	30u" Nickel plated over all	1PCS
3	CLIP	SUS301	N/A	1PCS
2	CONTACT	C7025	G/F.Gold In Contact Area Over 30u" MIN. Ni.	1SET
1	HOUSING	LCP	BLACK	1PCS
NO.	DESCRIPTION	MATERIAL	REMARKS	QTY

單位(UNITS)	mm	東莞翊豐精密五金有限公司			
數量(QT'Y)	N/A				
材料(MT'L)	SEE NOTE				
處理(FINISH)	SEE NOTE				
繪圖(DRAW)		圖名(NAME) TYPE-C 3.1 母座雙排SMT 有定位柱			
設計(DE'N)		料號(PART NUMBER)	AAUS+FS24S-N242R		
審核(CH'K)		圖號(DRAW NUMBER)			
核准(APP'D)		圖檔(FILE NAME .DWG)			
比例(SCALE)	1/1	圖紙(SIZE)	A4	頁次(SHEET)	1
		版次(REV.)	A		