

REV.	NOTES	DATE
A	RELEASED	2017/09/18
B	1. 舌片头部钢片不漏	2019/04/17

CUSTOMER DRAWING

Pin	Signal Name	Mating Sequence	Pin	Signal Name	Mating Sequence
A1	GND	First	B12	GND	First
A2	SSTXp1	Second	B11	SSRXp1	Second
A3	SSTXn1	Second	B10	SSRXn1	Second
A4	V _{BUS}	First	B9	V _{BUS}	First
A5	CC1	Second	B8	SBU2	Second
A6	Dp1	Second	B7	Dn2	Second
A7	Dn1	Second	B6	Dp2	Second
A8	SBU1	Second	B5	CC2	Second
A9	V _{BUS}	First	B4	V _{BUS}	First
A10	SSRXn2	Second	B3	SSTXn2	Second
A11	SSRXp2	Second	B2	SSTXp2	Second
A12	GND	First	B1	GND	First
SHELL	GND		SHELL	GND	

NOTES:

- MATERIAL: SEE "TABLE 1";
- FINISH: SEE "TABLE 1";
- ELECTRICAL :
 - CONTACT CURRENT RATING :
 - 5A(V_{BUS} PIN 1.5A/PIN),
 - 5A(GND PIN 1.25A/PIN MAX),0.25A/PIN(OTHER PIN).
 - INSULATION RESISTANCE :
 - 100 MEGA OHMS MIN. AT 250VDC.
 - DIELECTRIC WITHSTANDING VOLTAGE :
 - 100VAC MIN.
 - LOW LEVEL CONTACT RESISTANCE :
 - INITIAL 40mΩ MAX.
 - AFTER 50mΩ MAX.
- MECHANICAL CHARACTERISTICS :
 - MATING FORCE: 5~20N.
 - UNMATING FORCE: 8~20N(INITIAL),6~20N(AFTER 10000 CYCLES);
 - DURABILITY : 10,000 MATING CYCLES.
 - OPERATING TEMPERATURE :-40°C TO +80°C

TABLE 1:

NO.	PART NAME	QTY	MATERIAL	DESCRIPTION	REMARK
⑧	GLUE WATER	1	EPOXY	BLACK;	
⑦	Shell-2	1	Stainless steel	NI PLATING;	T=0.20mm
⑥	Shell-1	1	Stainless steel	NI PLATING;	T=0.20mm
⑤	GND PLATE	1	Stainless steel	NI PLATING;	T=0.10mm
④	MID PLATE	1	Stainless steel		T=0.15mm
③	Terminal-B	12	铜镍硅合金	Au:tu* PLATING;	T=0.12mm
②	Terminal-A	12	铜镍硅合金	Au:tu* PLATING;	T=0.12mm
①	Housing	1	HIGH TEMP	Black	

單位(UNITS)	mm
數量(QTY)	N/A
材料(MTL)	SEE NOTE
處理(FINISH)	SEE NOTE

東莞翊豐精密五金有限公司

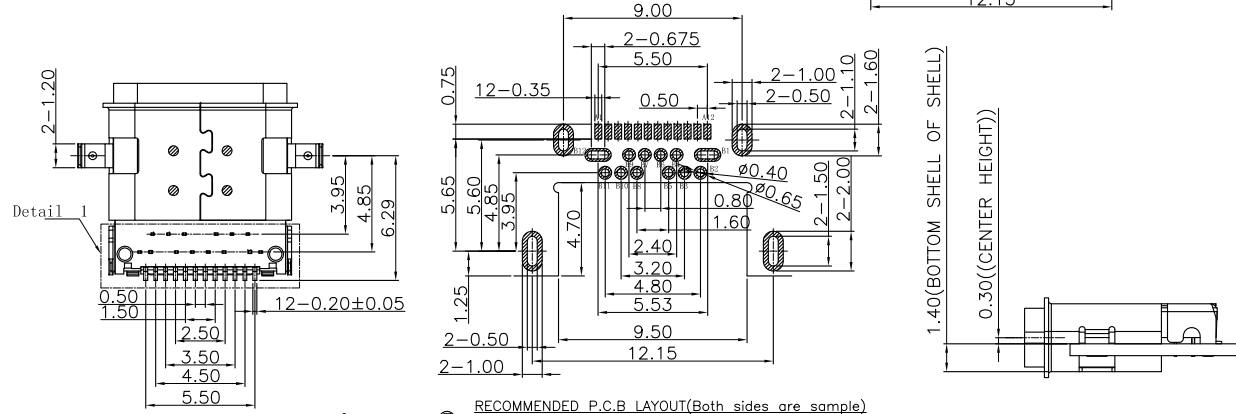
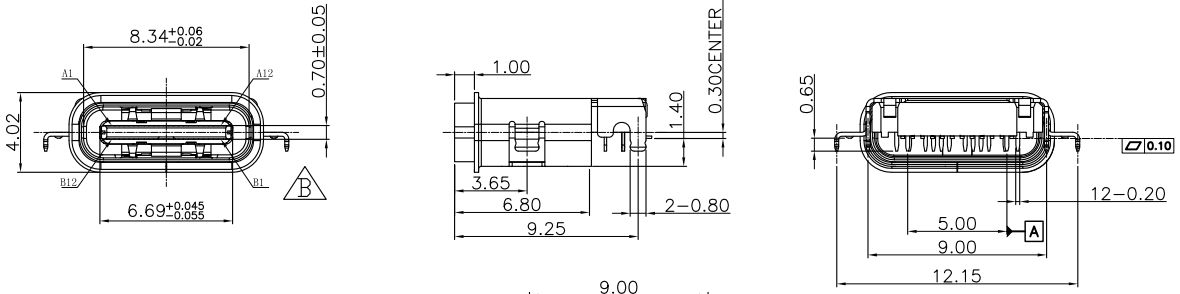
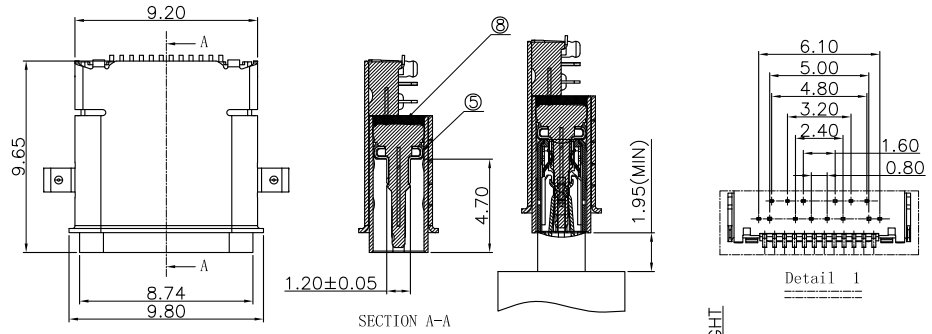
圖名(NAME) USB 3.1 CF WATERPROOF
CL=0.30 沉板1.40mm DIP TYPE

料號(PART NUMBER) AAUS+TC24P-J4FZL2

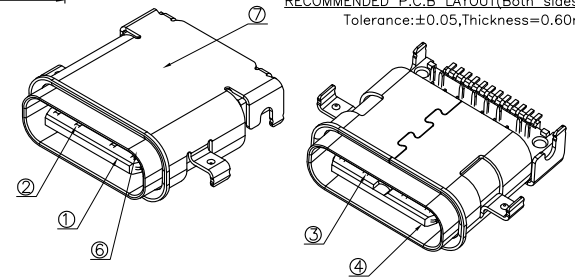
圖號(DRAW NUMBER)

圖檔(FILE NAME .DWG)

核淮(APP'D)	比例(SCALE) 1:1	圖紙(SIZE) A4	頁次(SHEET) 1/2	版次(REV.) B
-----------	---------------	-------------	---------------	------------



RECOMMENDED P.C.B LAYOUT(Both sides are sample)
Tolerance:±0.05,Thickness=0.60mm



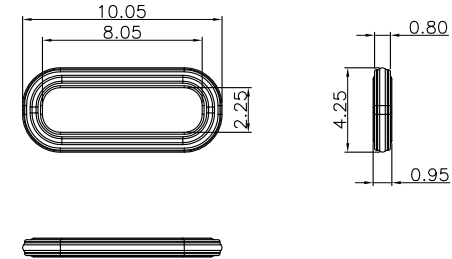
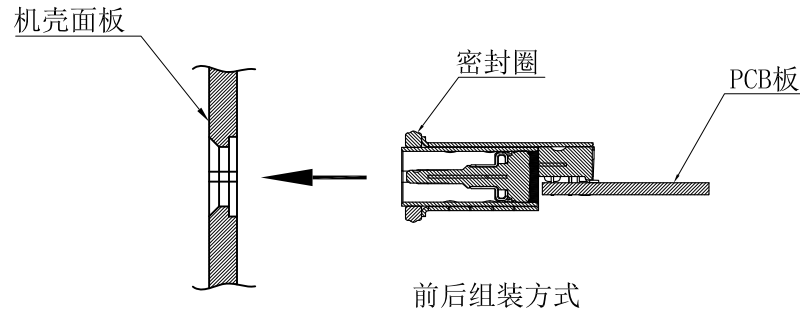
DIMENSIONS TOLERANCE METRIC

X	:±0.5
X.X	:±0.30
X.XX	:±0.20
ANGLES	
X	:±1°
X.X	:±0.5°

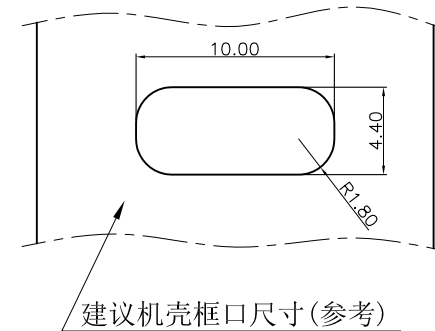
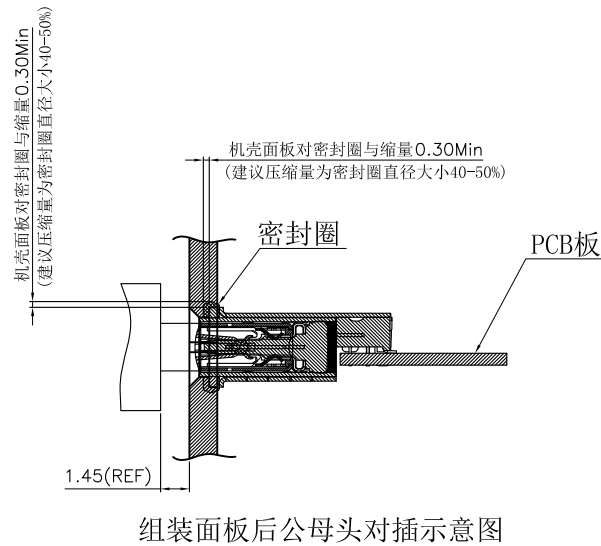


REV.	NOTES	DATE
A	RELEASED	2017/09/18
B	1. 舌片头部钢片不漏	2019/04/17

建议密封方式



建议防水圈规格 (材质硅橡胶)



DIMENSIONS TOLERANCE METRIC	
X	:±0.5
X.X	:±0.30
X.XX	:±0.20
ANGLES	
X	:±1°
X.X	:±0.5°

單位(UNITS)	mm	東莞翊豐精密五金有限公司			
數量(QT'Y)	N/A				
材料(MT'L)	SEE NOTE				
處理(FINISH)	SEE NOTE				
繪圖(DRAW)		圖名(NAME) USB 3.1 CF WATERPROOF CL=0.30 沉板1.40mm DIP TYPE			
設計(DE'N)		料號(PART NUMBER)	AAUS+TC24P-J4FZL2		
審校(CH'K)		圖號(DRAW NUMBER)			
核准(APP'D)		圖檔(FILE NAME .DWG)			
比例(SCALE)	1:1	圖紙(SIZE)	A4	頁次(SHEET)	2/2
				版次(REV.)	B