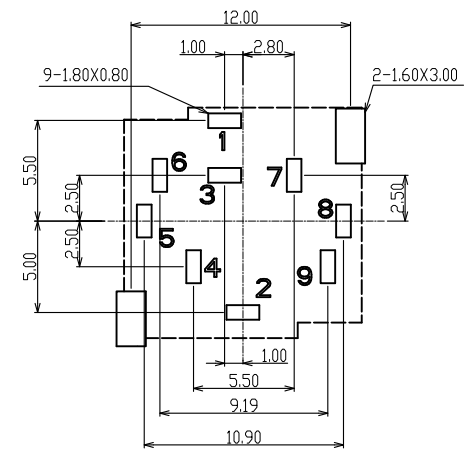
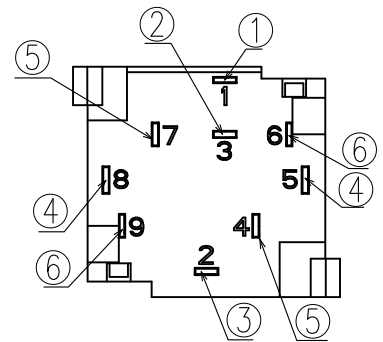
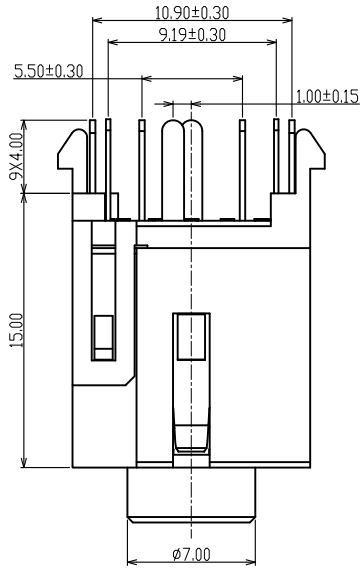


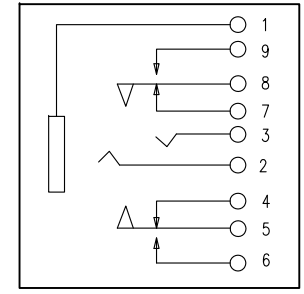
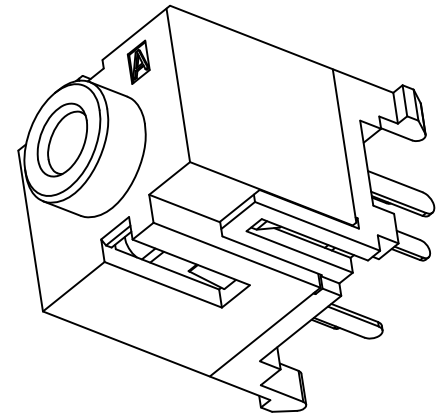
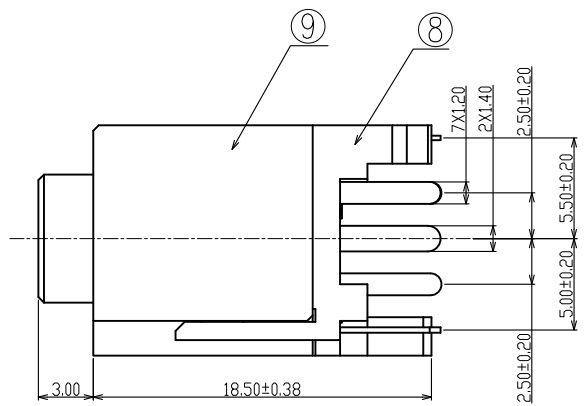
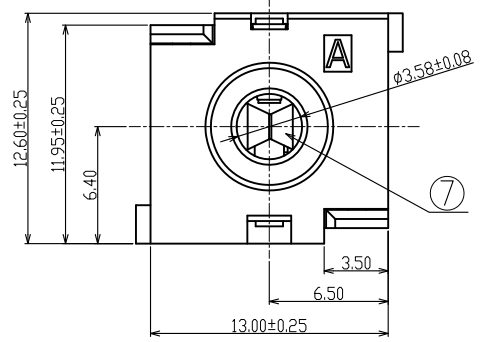
REV.	NOTES	DATE
A	RELEASED	2019/04/09
B	因包装数量太多挤压变形，现改为4K一箱	2020/07/15



PCB LAYOUT TOP VIEW

SPECIFICATIONS:

- ELECTRICAL CHARACTERISTICS:
 - 1-1. RATING:
 - 1-2. CONTACT RESISTANCE: 30mΩ MAX.(INITIAL)
 - 1-3. DIELECTRIC WITHSTANDING VOLTAGE: 500V AC FOR ONE MINUTE
 - 1-4. INSULATION RESISTANCE: 100MΩ MIN. MEASURED BY 500V DC
- MECHANICAL CHARACTERISTICS:
 - 2-1. INSERTION FORCE : 0.3~3.0 KGF
 - 2-2. WITHDRAWAL FORCE : 0.3~3.0 KGF
- LIFE TEST: 5,000 CYCLES MIN.



CIRCUIT DIAGRAM

DIMENSIONS TOLERANCE METRIC	
X	±0.5
X.X	±0.30
X.XX	±0.20
ANGLES	
X	±1'
X.X	±0.5'

⑨	Knob	2	PBT (Black)	
⑧	Housing	1	PBT (Black)	
⑦	Cover	1	PBT (Black)	
⑥	Terminal	2	PHOSPHOR BRONZE t=0.25	Ag-Plated
⑤	Terminal	2	PHOSPHOR BRONZE t=0.30	Ag-Plated
④	Terminal	2	PHOSPHOR BRONZE t=0.30	Ag-Plated
③	Terminal	1	PHOSPHOR BRONZE t=0.30	Ag-Plated
②	Terminal	1	PHOSPHOR BRONZE t=0.30	Ag-Plated
①	Terminal	1	PHOSPHOR BRONZE t=0.25	Ag-Plated
No.	PART NAME	QTY	MATERIAL (THICK, COLOR)	REMARK

單位(UNITS)		mm		東莞翊豐精密五金有限公司					
數量(QT'Y)	N/A	料號(PART NUMBER)	AAPJ+JK09P-3089X						
材料(MT'L)	SEE NOTE	圖號(DRAW NUMBER)							
處理(FINISH)	SEE NOTE	圖檔(FILE NAME .DWG)							
繪圖(DRAW)		圖名(NAME) Φ3.5 PHONE JACK 180度DIP 9PIN 有定位柱							
設計(DE'N)		料號(PART NUMBER)		AAPJ+JK09P-3089X					
審核(CH'K)		圖號(DRAW NUMBER)							
核准(APP'D)		圖檔(FILE NAME .DWG)							
比例(SCALE)	1/1	圖紙(SIZE)	A4	頁次(SHEET)	1/2	版次(REV.)	B		