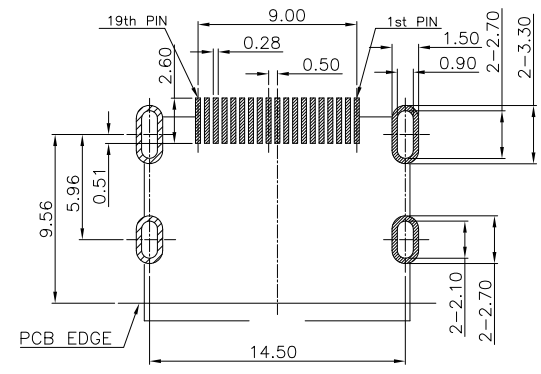
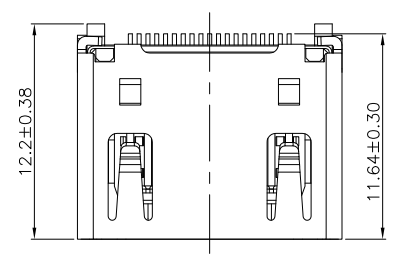
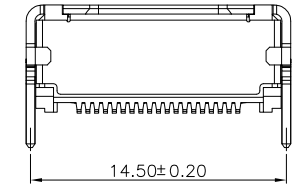
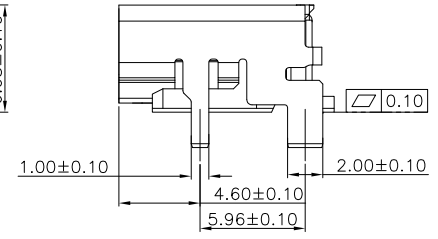
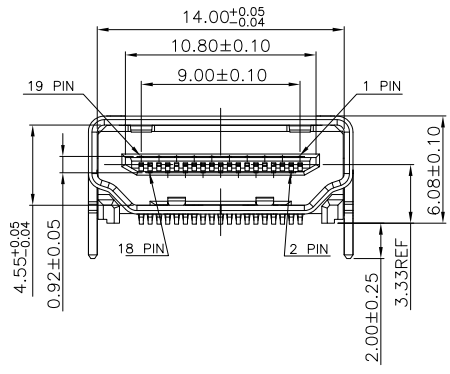


REV.	NOTES	DATE
A	RELEASED	2012/05/06



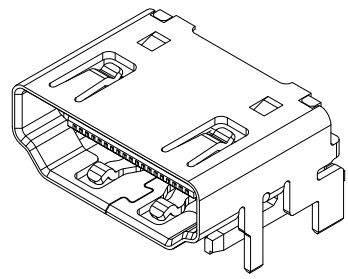
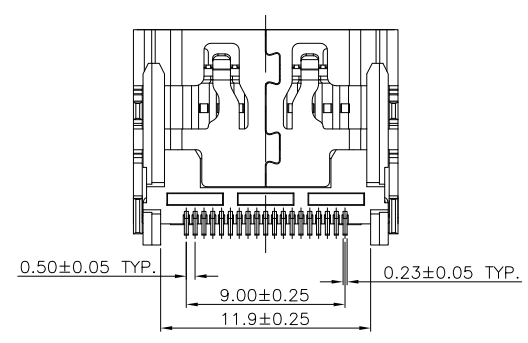
RECOMMEND PCB LAYOUT
TOLERANCE: ±0.05
TOP VIEW



NOTE:

1. Material
 - 1.1 Terminal: C2680 T=0.20
 - 1.2 Housing: LCP+30%G/F., UL94V-0 Black
 - 1.3 EMI SHIELD: SUS304 T=0.15
 - 1.4 Shell: C2680 T=0.50
2. Plating
 - 2.1 Terminal: Gold In Contact Area
80u" MIN. Matte Sn Plate In Solder Area.
Over 30u" MIN. Ni.
 - 2.2 Shell: 50u" Nickel plated over all.
3. Electrical
 - 3.1 Current rating: 0.5A
 - 3.2 Rated Voltage: 30V MAX
 - 3.3 TEMPERATURE: -40°C TO +85°C
 - 3.4 Contact Resistance: 30mΩ
 - 3.5 Insulation Resistance: 100MΩ MIN
 - 3.6 Dielectric Withstanding Voltage: apply 500VDC
for 1 minute between adjacent terminal or ground.
 - 3.7 Insertion Force: 45N MAX
Withdrawal Force: 10N MIN

PART NO.	TERMINAL PLATING
AAUS+A04P+0N033D	GOLD(G/F)/TIN PLATED
AAUS+A04P+6N033D	GOLD(30u")/TIN PLATED



NO.	PART NAME	MATERIAL	DESCRIPTION
4	後殼	SUS304	N/A
3	外壳	C2680	镀镍 50u"
2	端子	C2680	接触点 镀金G/F 焊脚 镀锡
1	塑胶	LCP+30% G F	黑色 UL94V-0

單位(UNIT'S)	東莞翊豐精密五金有限公司				
數量(QTY)	N/A				
材料(MT'L)	SEE NOTE				
處理(FINISH)	SEE NOTE				
繪圖(DRAW)	圖名(NAME) HDMI A 2.1 TYPE FEMALE 无齒				
設計(DESIGN)	料號(PART NUMBER)		AAUS+A04P+XN033D		
審校(CHECK)	圖號(DRAW NUMBER)				
核准(APPROVED)	圖檔(FILE NAME .DWG)				
比例(SCALE)	1/1	圖紙(SIZE)	A4	頁次(SHEET)	1
				版次(REV.)	A

DIMENSIONS TOLERANCE METRIC

X : ±0.3
X.X : ±0.2
X.XX : ±0.1
X.XXX : ±0.05

ANGLES
X : ±1°
X.X : ±0.5°