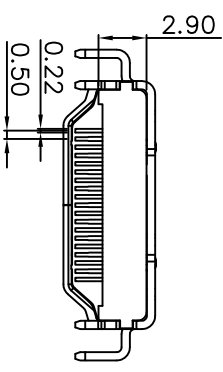
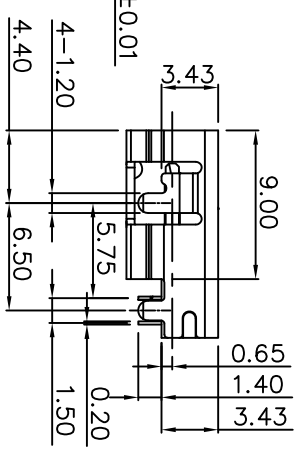
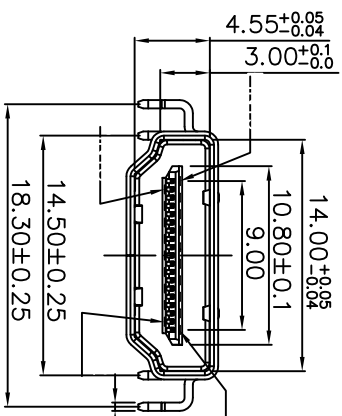
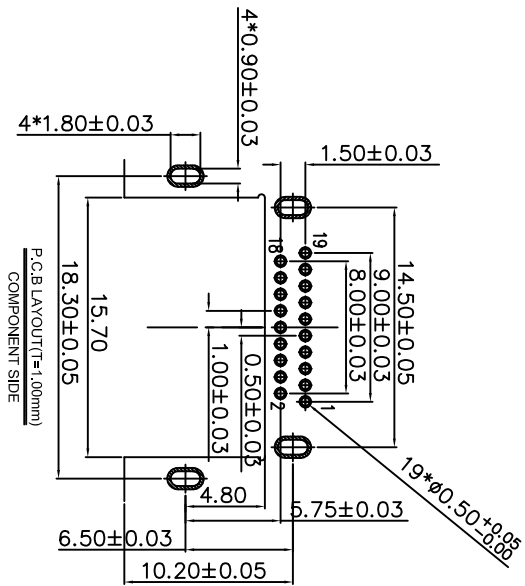
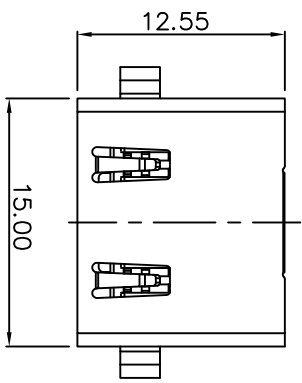
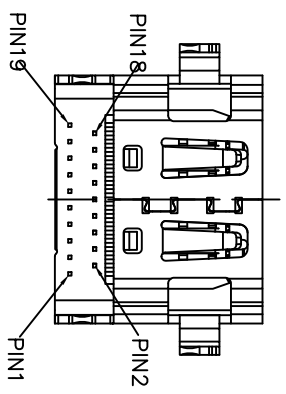


REV.	NOTES	DATE
01	RELEASED	2020/02/20



- SPECIFICATIONS:**
- ELECTRICAL CHARACTERISTICS
 - CURRENT RATING: 0.5 AMP
 - VOLTAGE RATING: 40 V
 - CONTACT RESISTANCE: 30MILLIOHMS MAX
 - INSULATION RESISTANCE: 100M MIN. @500V DC
 - DIELECTRIC WITHSTANDING VOLTAGE: 500V AC FOR 1 MINUTE
 - MECHANICAL CHARACTERISTICS:
 - INSERTION FORCE : 4.5KGF MAX.
 - WITHDRAWING FORCE : 1KGF ~ 4KGF.
 - LIFE TEST: 10000 CYCLES
 - OPERATING TEMPERATURE: -25°C TO +85°C



DIMENSIONS TOLERANCE METRIC		X : ±0.5	
		XX : ±0.38	
		XXX : ±0.25	
ANGLES		X : ±1°	
		XX : ±0.5°	
C	SHELL	1	S50C NI T=0.5MM, 30U"MIN,ICEL. ALL OVER
B	TERMINAL	19	C2680 接觸端0.6u"金, SMT端脚 錫
A	HOUSING	1	LCP UL94V-0 BLACK
NO	PART NAME	QTY	MATERIAL PLATING & COLOR
	單位(UNITS)	mm	
	數量(QTY)	N/A	
	材料(MTL)	SEE NOTE	
	處理(FINISH)	SEE NOTE	
	繪圖(DRAW)	圖名(NAME) HDMI 正沉板 中心高度0.65 黑色殼芯 ROHS	
	設計(DESIGN)	料號(PART NUMBER)	AAUS+17461-0056
	審核(CH'K)	圖號(DRAW NUMBER)	
	核准(APP'D)	圖檔(FILE NAME .DWG)	
		比例(SCALE)	1/1
		圖紙(SIZE)	A4
		頁次(SHEET)	1
		版次(REV.)	01

東莞翊豐精密五金有限公司