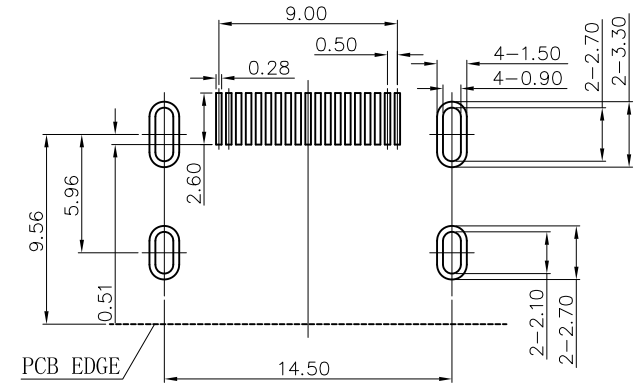
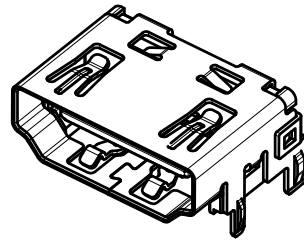
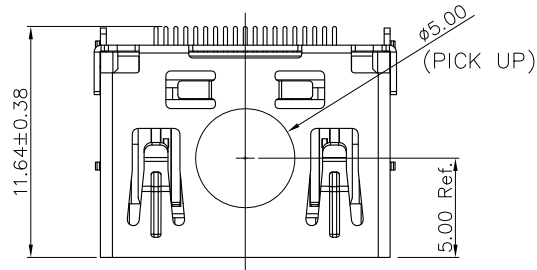
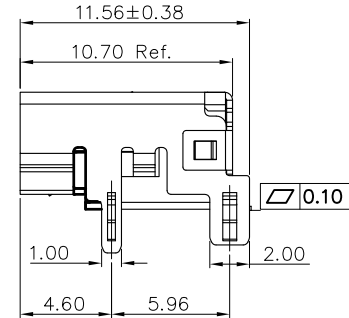
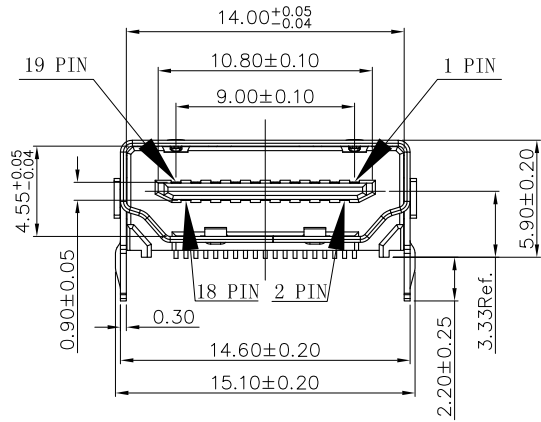


REV.	NOTES	DATE
01	RELEASED	2020/08/10



RECOMMEND PCB LAYOUT
TOLERANCE: ±0.05 (TOP VIEW)

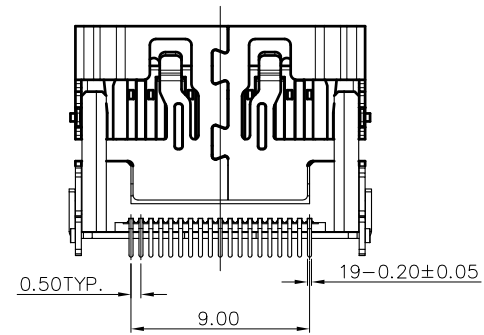


MATERIALS

1. HOUSING : LCP (UL 94V-0), BLACK.
2. TERMINAL : COPPER ALLOY (t=0.20mm), GOLD FLASH ON CONTACT AREA, TIN PLATED ON SOLDER TAILS.
3. SHELL : STAINLESS STEEL (t=0.30mm), PLATED SEE TABLE.

SPECIFICATION

1. CURRENT RATING : 0.5 A. MAX.
2. DIELECTRIC WITHSTANDING VOLTAGE : 500V AC R.M.S. FOR 1 MINUTE.
3. INSULATION RESISTANCE : 100MΩ MIN. AT 500V DC.
4. CONTACT RESISTANCE : 30mΩ MAX.
5. OPERATING TEMPERATURE : -40°C TO +85°C.
6. INSERTION FORCE : 4.5Kgf MAX.
7. WITHDRAWING FORCE : 1.0Kgf ~ 4.0Kgf.
8. DURABILITY : 10,000 CYCLES.
9. SOLDERING HEAT RESISTANCE REFLOW SOLDERING 260°C.



DIMENSIONS TOLERANCE METRIC

X	: ±0.5
X.X	: ±0.38
X.XX	: ±0.25
ANGLES	
X	: ±1°
X.X	: ±0.5°

單位(UNITS)	mm	東莞翊豐精密五金有限公司							
數量(QTY)	N/A								
材料(MTL)	SEE NOTE								
處理(FINISH)	SEE NOTE								
繪圖(DRAW)		圖名(NAME) HDMI A 2.1 TYPE FEMALE 不銹鋼外壳 无卤							
設計(DE'N)		料號(PART NUMBER)	AAUS+A04P+0N369F						
審校(CH'K)		圖號(DRAW NUMBER)							
核准(APP'D)		圖檔(FILE NAME .DWG)							
		比例(SCALE)	1/1	圖紙(SIZE)	A4	頁次(SHEET)	1	版次(REV.)	01