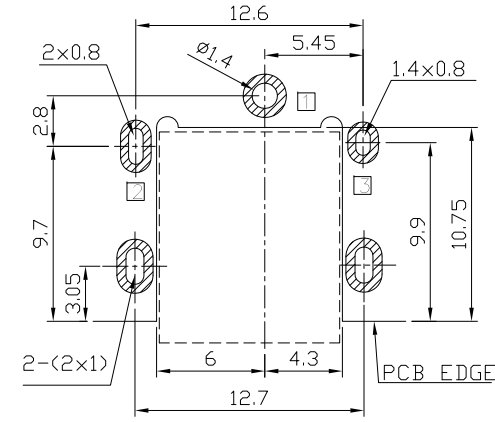
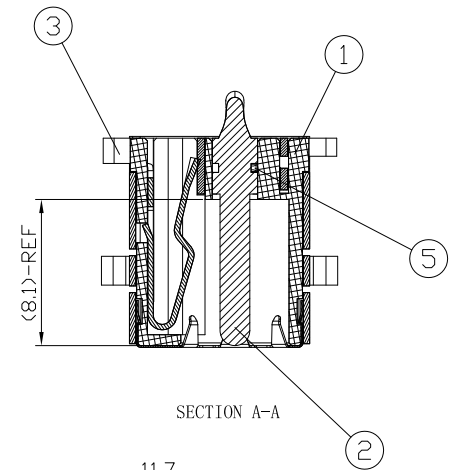
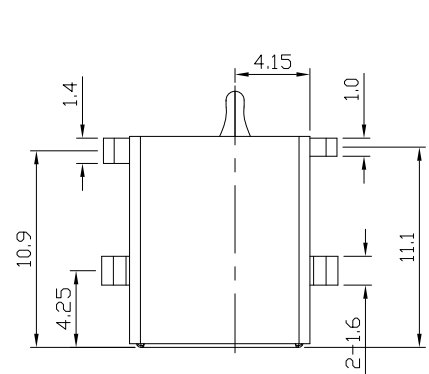
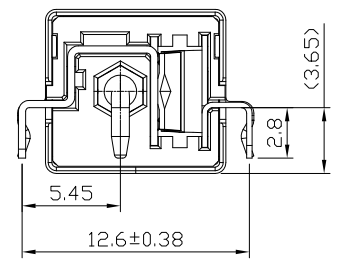
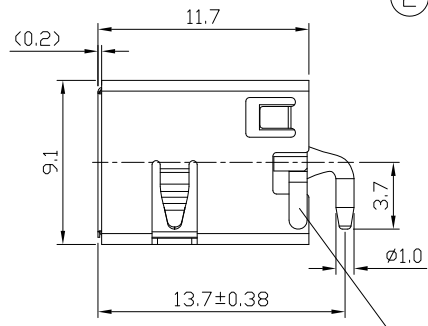
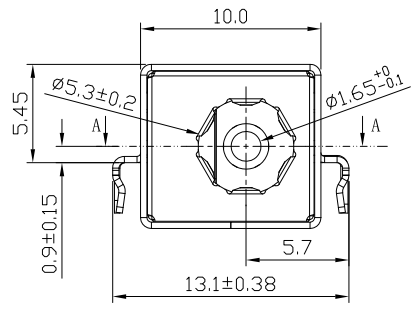


REV.	NOTES	DATE
A	RELEASED	2020/06/05



Recommend of PC Board Holes  
Tolerance : ±0.05(Top view)



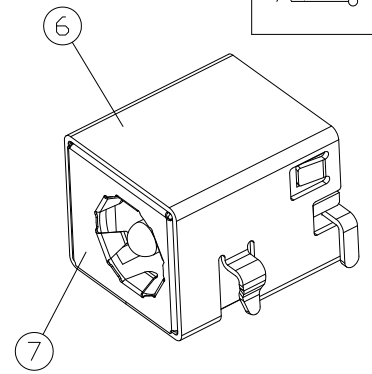
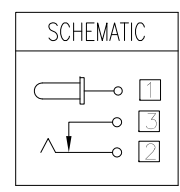
### LEAD FREE

7	Ground terminal	1	Stainless steel, t=0.1	
6	Shield	1	Brass, t=35	Ni PLATED
5	Terminal	1	Brass, t=0.4	
4	Shunt terminal	1	Brass, t=0.4	MB:Ni Ag PLATED
3	Tip spring	1	Phosphor bronze t=0.3	MB:Ni Ag PLATED
2	Center pin	1	Zinc alloy	Ni PLATED
1	Housing	1	PA9T	UL94V-0 Black
LTR	PART NAME	QTY	MATERIAL	REMARK

- Notes:
- Electrical Characteristics:
    - 1-1. Rating : DC 20 V 7 A ;
    - 1-2. Contact Resistance: 30mΩ Max.(Initial),  
Between plug and contact 100mΩ Max;  
(Final) After Life test: ≤60mΩ ;
    - 1-3. Dielectric Withstanding Voltage: 500V AC for One Minute ;
    - 1-4. Insulation Resistance: 100MΩ Min. Measured By 500 VDC;

- Mechanical Characteristics:
  - 2-1. Plug Insertion Force 0.3~3.0Kgf (initial),  
0.3~2.0Kgf (Final) life test;
  - 2-2. Plug Extraction Force: 0.3~3.0Kgf (initial),  
0.3~2.0Kgf (Final) life test;

- Durability Test: 5,000 Cycles min;
- Operating temperature: -25°C ~ +70°C;
- Soldering Heat Resistance Reflow Soldering 260°C;
- Plug Interface Dimensions Conform To EIAJ RC-5321 Spec;
- Packaging: Tape Reel;



DIMENSIONS TOLERANCE METRIC

X : ±0.5  
X.X : ±0.38  
X.XX : ±0.25

ANGLES  
X : ±1°  
X.X : ±0.5°

單位(UNITS)	mm	東莞翊豐精密五金有限公司			
數量(QT'Y)	N/A				
材料(MT'L)	SEE NOTE				
處理(FINISH)	SEE NOTE				
繪圖(DRAW)		圖名(NAME) DC POWER JACK 外圓5.30中心1.65 ROHS			
設計(DE'N)		料號(PART NUMBER)	AAPJ+WTJ002-71C01		
審核(CH'K)		圖號(DRAW NUMBER)			
核准(APP'D)		圖檔(FILE NAME .DWG)			
比例(SCALE)	1/1	圖紙(SIZE)	A4	頁次(SHEET)	1/2
				版次(REV.)	A