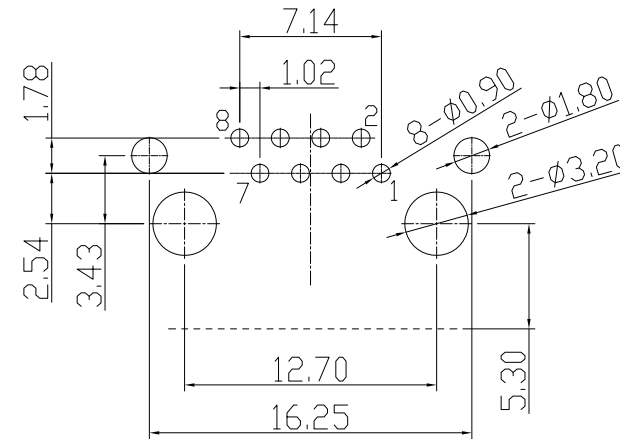
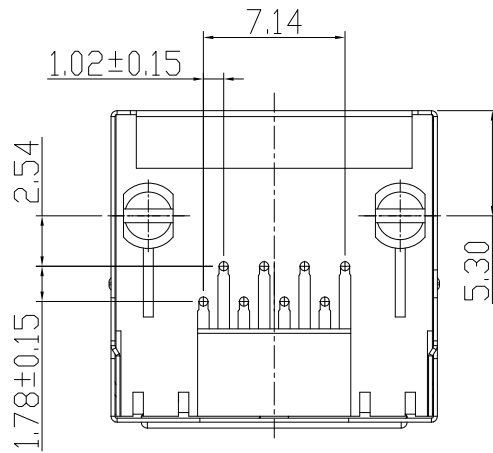
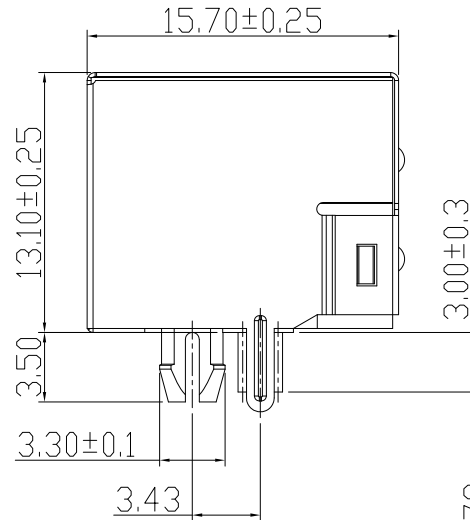
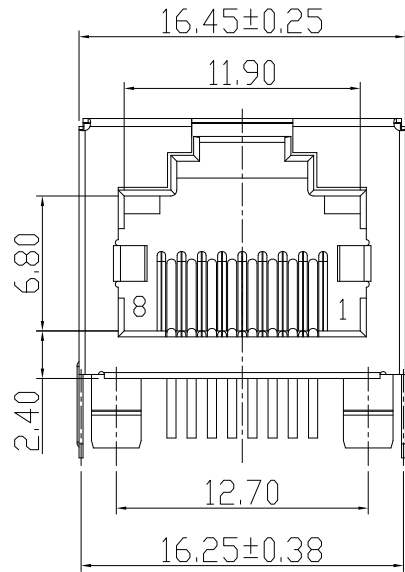


REV.	NOTES	DATE
A	RELEASED	2019/09/09

SPECIFICATION

- VOLTAGE RATING: 150 VAC RMS.
- CURRENT RATING: 1.5 AMP
- CONTACT RESISTANCE: 40 mΩ MAX
- INSULATION RESISTANCE: 500MΩ MIN.
- WITHSTAND VOLTAGE: AC1000V RMS 60s.
- OPERATING TEMPERATURE: -40°C~+80°C



Recommend PCB Layout
(Jack Top View)
Tolerance: ±0.05mm
Recommend PCB Thickness: 1.6mm

c	SHELL	1	BRASS T=0.2mm	Ni PALTING
b	TERMINAL	8	PHOSPHOR BRONZE ∅0.46mm	Au G/Fu" Plating
a	HOUSING	1	PBT	BLACK
NO.	PART NAME	Q'TY	MATERIAL	PLATING & COLOR

DIMENSIONS
TOLERANCE
METRIC

X :±0.5
X.X :±0.38
X.XX :±0.25

ANGLES
X :±1°
X.X :±0.5°

單位(UNITS)	mm	東莞翊豐精密五金有限公司							
數量(QT'Y)	N/A								
材料(MT'L)	SEE NOTE								
處理(FINISH)	SEE NOTE								
繪圖(DRAW)		圖名(NAME) RJ45 8P8C 帶壳无灯 DIP3.00 ROHS							
設計(DE'N)		料號(PART NUMBER)		AAOE+5688-B011					
審校(CH'K)		圖號(DRAW NUMBER)							
核准(APP'D)		圖檔(FILE NAME .DWG)							
		比例(SCALE)	1/1	圖紙(SIZE)	A4	頁次(SHEET)	1/2	版次(REV.)	A