

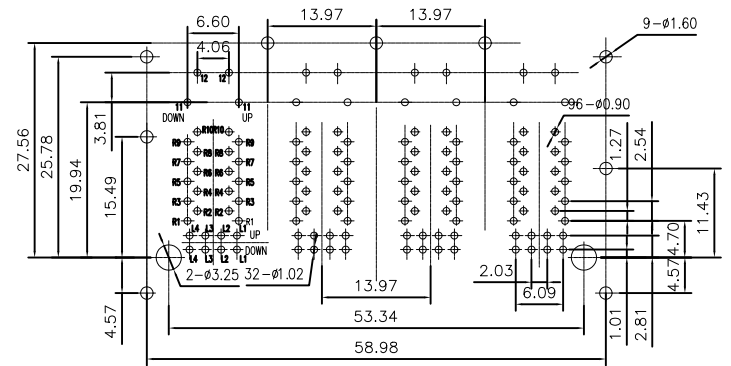
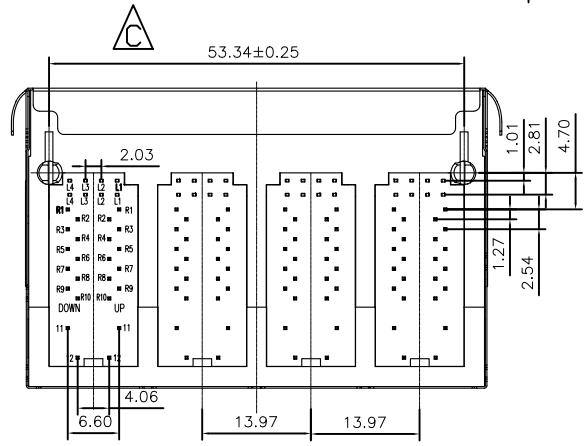
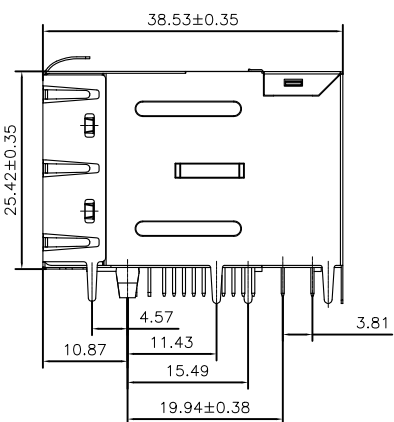
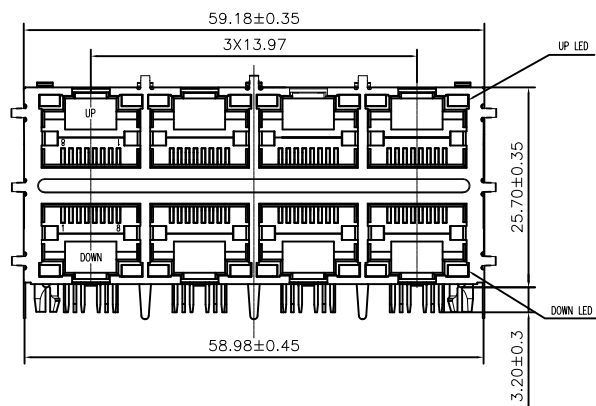
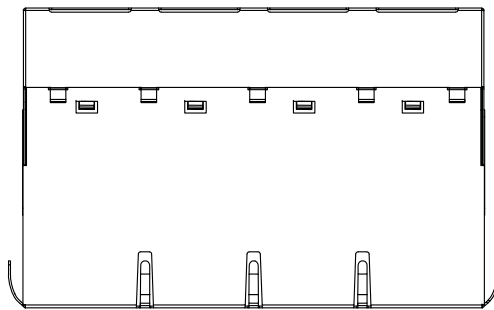
REV.	NOTES	DATE
A	RELEASED	2019/12/05
B	更換電子元件防雷管型號P4200TC與SF11210SN750	2019/12/17
C	將焊板面外壳彈片取消, 框口外壳中間加強筋;	2020/01/06

DESCRIPTION:
 RJ45 With internal Magnetics Connector
 Designed to support such applications as: Ethernet Equipment Complex, Switches, Routers, Firewalls, Servers and Hub
 Internal magnetics are 100% electrically tested for functionality per IEEE802.3af/at requirement

ELECTRICAL:
 RoHS peak wave solder temperature rating 235°C
 High performance for maximum EMI suppression
 JACK CAVITY CONFORMS TO FCC RULES AND REGULATIONS, PART 68 SUBPART F.
 INSERTION FORCE: 2 CONTACTS----350g 4 CONTACTS----500g
 6 CONTACTS----750g 8 CONTACTS----900g
 10 CONTACTS----1050g

MECHANICAL:
 RETENTION STRENGTH: 7.7Kgs BETWEEN JACK AND PLUG
 DURABILITY: 750 MATING CYCLES Mini
 HOUSING: 1) GLASS FILLED PA66 (UL 94V-0)
 2) GLASS FILLED PA46/LCP (UL 94V-0)
 3) GLASS FILLED PBT (UL 94V-0)

MATERIAL:
 SPRING WIRE:
 1) 0.2-0.45mm DIA PHOSPHOR BRONZE GOLD PLATING OVER NICKEL
 2) 0.2-0.35mm THICKNESS PHOSPHOR BRONZE ALLOY SELECTIVE GOLD PLATING OVER NICKEL;



Suggested PCB Pad Layout
 Component Side View

NOTES : 1. Tolerance : PCB ±0.05mm
 Connector ±0.25mm
 2. Connector dimensions comply with FCC 68.5 dimension requirements

DIMENSIONS TOLERANCE METRIC

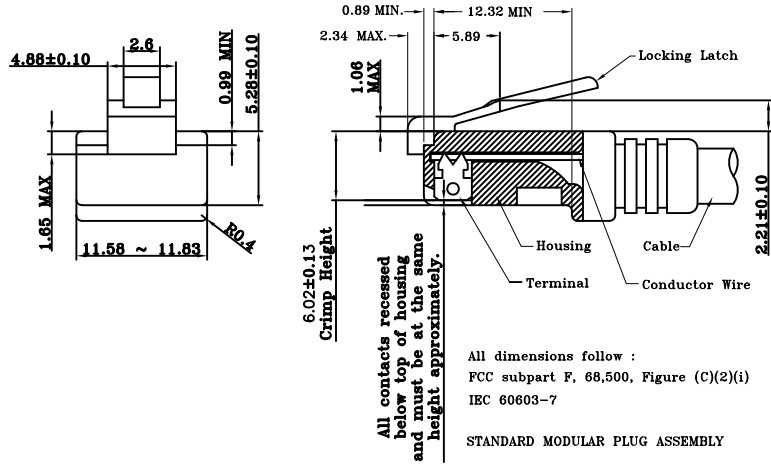
X : ±0.5
 X.X : ±0.38
 X.XX : ±0.25

ANGLES

X : ±1°
 X.X : ±0.5°

單位(UNITS)	mm	東莞翊豐精密五金有限公司			
數量(QT'Y)	N/A				
材料(MT'L)	SEE NOTE				
處理(FINISH)	SEE NOTE				
繪圖(DRAW)		圖名(NAME) RJ45 (2X4 POE GAS EMI LED Y-G) 加彈片 90度 ROHS			
設計(DE'N)		料號(PART NUMBER)	AAOE+B5901-4123		
審核(CH'K)		圖號(DRAW NUMBER)			
核准(APP'D)		圖檔(FILE NAME .DWG)			
		比例(SCALE)	1/1	圖紙(SIZE)	A4
		頁次(SHEET)	1/3	版次(REV.)	C

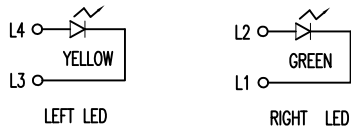
1.Recommend Plug Dim



Meets or exceeds IEEE 802.3 standard for 10/100//1000 Base-TX
350 uH minimum OCL with 8mA DC bias current
Available with or without LEDs
Minimum 1500Vrms isolation per IEEE802.3 requirement
DC Current/Voltage Rating-PoE+: 720mA MAX @57VDC(Continuous)
Operating temperature -40°C to +85°C
Storage temperature -40°C to +85°C

2.TRANSFORMER ELECTRICAL SPECIFICATIONS AT 25°C;

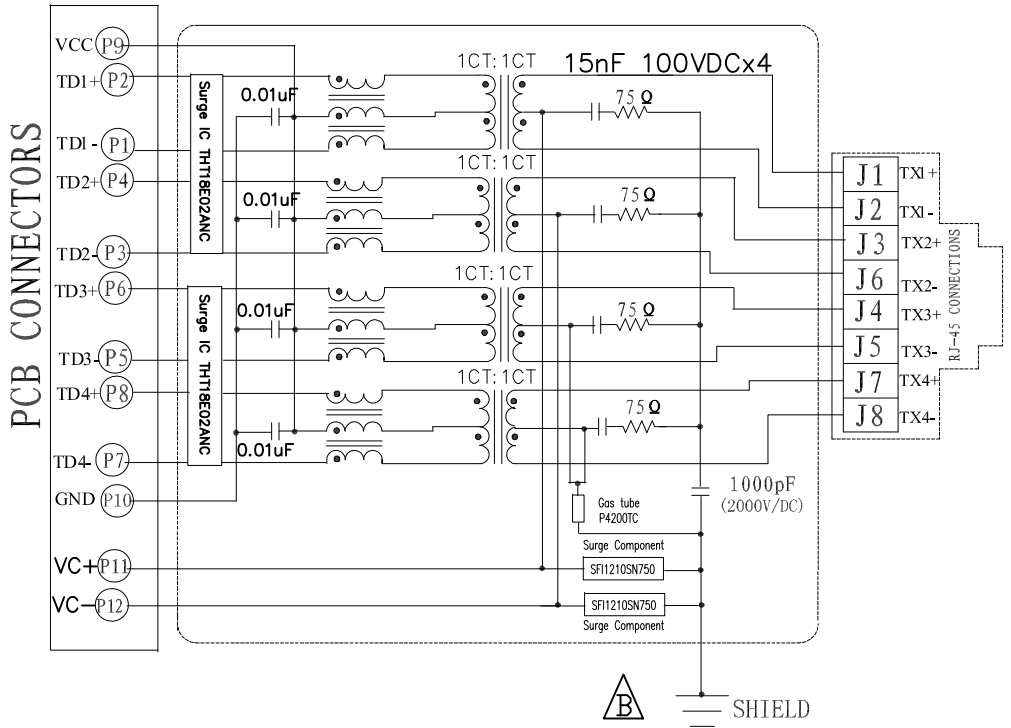
Insertion Loss (dB max.)	Return Loss (dB min.)				Cross talk (dB min.)			C.M.R. (dB min.)		Hi - pot (Vrms)
1-125MHz	1-30 MHz	30-60 MHz	60-80 MHz	80-100 MHz	1-30 MHz	30-60 MHz	60-100 MHz	10-60 MHz	60-100 MHz	60Hz/1min.
-1.2	-18	-16	-12	-10	-40	-35	-30	-40	-30	1500



Standard LED Color	LED Wavelength	Forward (V MAX)	Typical (V TYP)	Luminous Intensity
Green	560-580 nm	2.5V	2.1-2.2V	9-25 MCD
Yellow	580-610 nm	2.5V	2.1-2.2V	9-30 MCD
Orange	580-610 nm	2.5V	2.1-2.2V	50-100 MCD

LED Specification

3.SCHEMATIC:

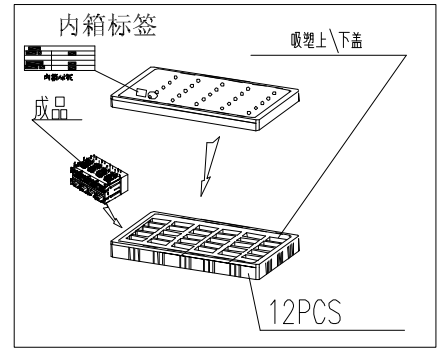
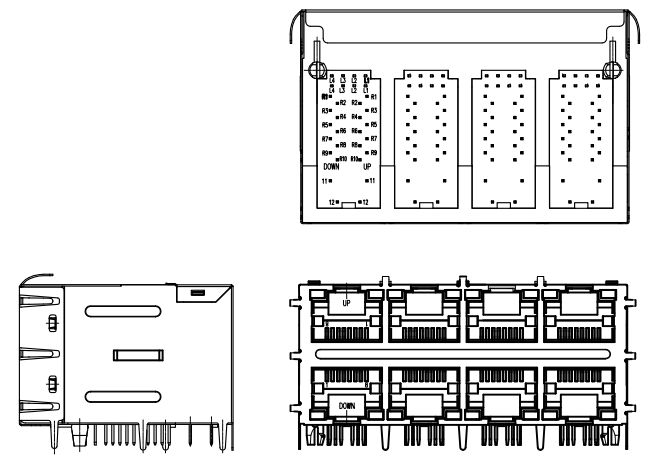


REV.	NOTES	DATE
A	RELEASED	2019/12/05
B	更換電子元件防雷管型號P4200TC與SF11210SN750	2019/12/17
C	將焊板面外壳彈片取消,框口外壳中间加强筋;	2020/01/06

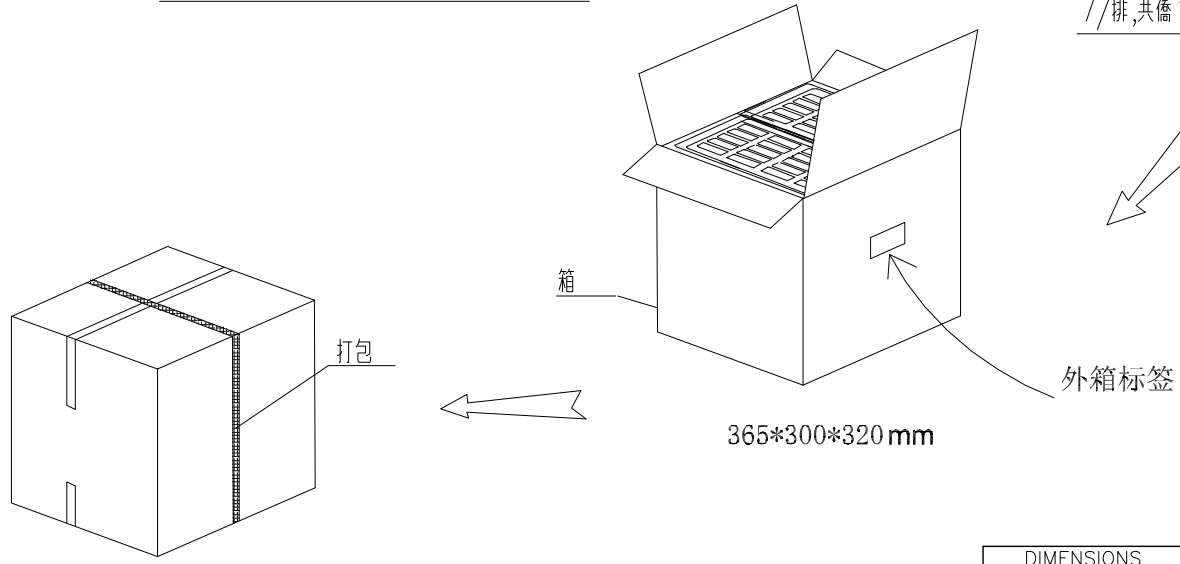
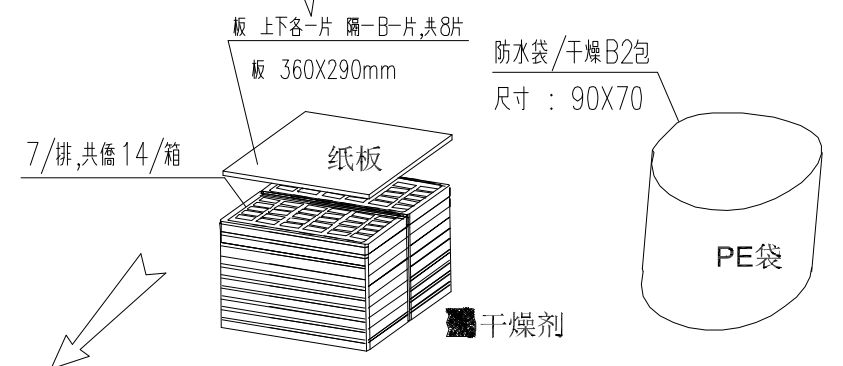
單位(UNITS)	mm	東莞翊豐精密五金有限公司			
數量(QT'Y)	N/A				
材料(MT'L)	SEE NOTE				
處理(FINISH)	SEE NOTE				
繪圖(DRAW)		圖名(NAME) RJ45 (2X4 POE GAS EMI LED Y-G) 加彈片 90度 ROHS			
設計(DE'N)		料號(PART NUMBER)	AAOE+B5901-4123		
審校(CH'K)		圖號(DRAW NUMBER)			
核准(APP'D)		圖檔(FILE NAME .DWG)			
		比例(SCALE)	1/1	圖紙(SIZE)	A4
		頁次(SHEET)	2/3	版次(REV.)	C

DIMENSIONS TOLERANCE METRIC	
X	±0.5
X.X	±0.38
X.XX	±0.25
ANGLES	
X	±1°
X.X	±0.5°

REV.	NOTES	DATE
A	RELEASED	2019/12/5
B	更換電子元件防雷管型號P4200TC與SF11210SN750	2019/12/17
B	將焊板面外壳彈片取消, 框口外壳中間加強筋;	2020/01/06



产品示意图



包裝備註: 1盤12PCS, 一箱總共14盤168PCS;

DIMENSIONS TOLERANCE METRIC

X : ±0.5
X.X : ±0.38
X.XX : ±0.25

ANGLES

X : ±1°
X.X : ±0.5°

單位(UNITS)	mm
數量(QT'Y)	N/A
材料(MT'L)	SEE NOTE
處理(FINISH)	SEE NOTE
繪圖(DRAW)	
設計(DE'N)	
審校(CH'K)	
核准(APP'D)	

東莞翊豐精密五金有限公司					
圖名(NAME)					
RJ45 (2X4 POE GAS EMI LED Y-G) 加彈片 90度 ROHS					
料號(PART NUMBER)			AAOE+B5901-4123		
圖號(DRAW NUMBER)					
圖檔(FILE NAME .DWG)					
比例(SCALE)	1/1	圖紙(SIZE)	A4	頁次(SHEET)	3/3
				版次(REV.)	C