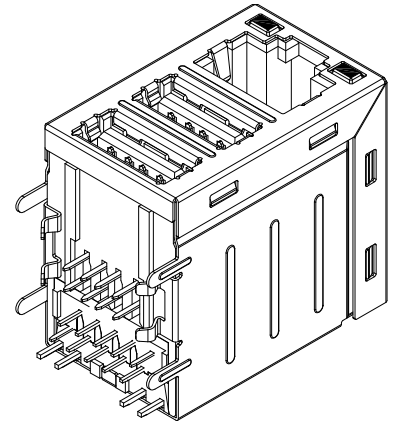
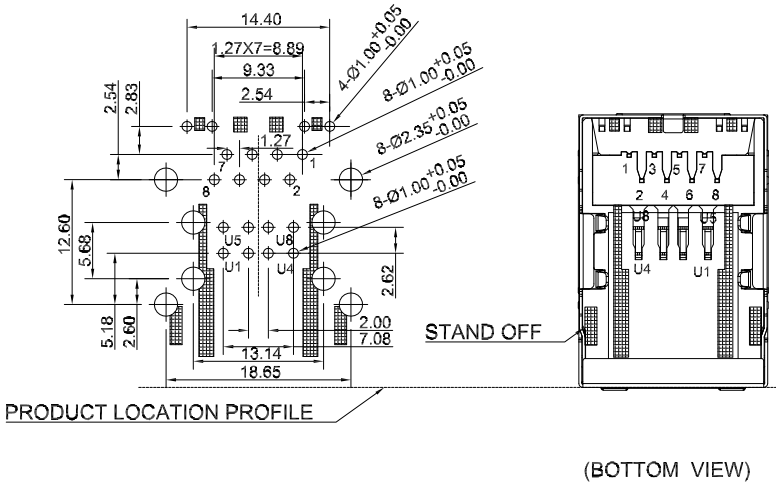
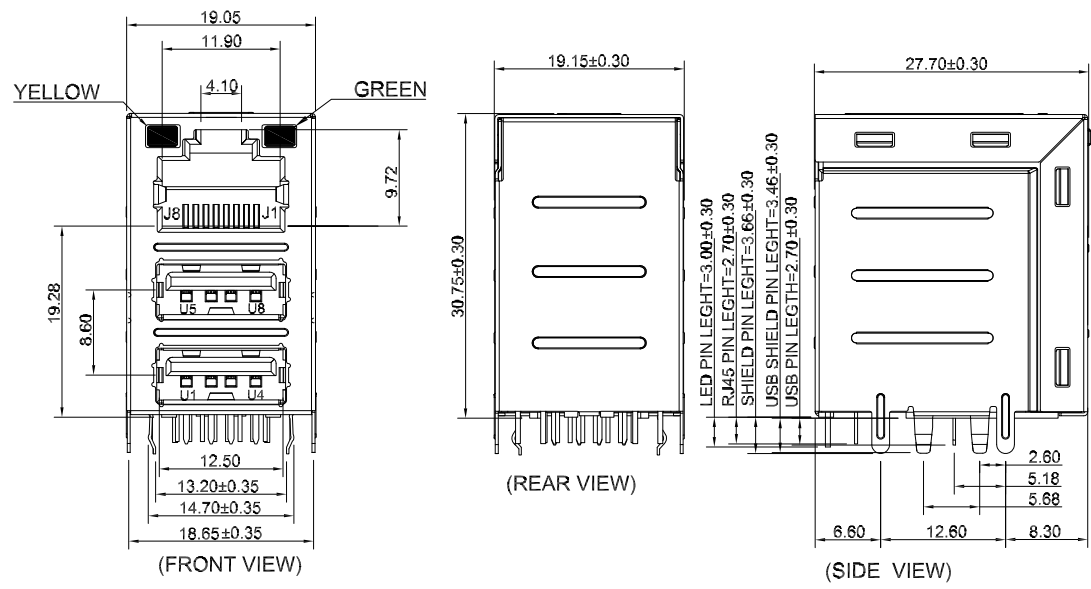
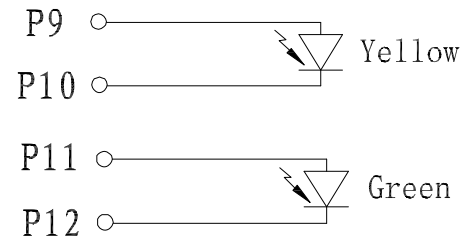


REV.	NOTES	DATE
01	RELEASED	2020/06/12



NOTE:

- Designed to support application, such as SOHO (ADSL modems) LAN-on-Motherboard (LOM), hub and Switches.
- Meets IEEE802.3 specification.
- Connector Material:
 Housing: Thermo plastics PBT+30%GF, UL94V-0.
 RJ45 Terminal:
 Material: Phosphor Bronze C5191. Thickness=0.30mm.
 Flash Gold plating on RJ45 contact area.
 Tin Plating 100u" on solder tail area
 30u" min Ni underplating over all.
 USB Terminal:
 Phosphor Bronze C2680. Thickness=0.30mm.
 Flash Gold plating on USB contact area.
 Tin Plating 100u" on solder tail area
 30u" min Ni underplating over all.
- Shield: SPCC. Thickness=0.25mm. Nickel plating overall.
- Electrical performance:
 Voltage Current Rating : 1.5 AMP. 30V AC
 Insulation Resistance : 1000M Ω Min.
 Contact Resistance : 30 m Ω Max.
 Dielectric Withstanding Voltage : 500V AC
- Operating temperature range : -40°C to +85°C.
 Storage temperature range : -40°C to +85°C.



DIMENSIONS TOLERANCE METRIC

X : ±0.5
 X.X : ±0.38
 X.XX : ±0.25

ANGLES

X : ±1°
 X.X : ±0.5°

單位(UNITS)	mm	東莞翊豐精密五金有限公司			
數量(QTY)	N/A	圖名(NAME)			
材料(MTL)	SEE NOTE	RJ45+ 双层USB2.0正向青蛙腳+LED			
處理(FINISH)	SEE NOTE	料號(PART NUMBER)	AAOE+1100F-7010		
繪圖(DRAW)		圖號(DRAW NUMBER)			
設計(DE'N)		圖檔(FILE NAME .DWG)			
審核(CH'K)		比例(SCALE)	1/1	圖紙(SIZE)	A4
核准(APP'D)		頁次(SHEET)	1	版次(REV.)	01